

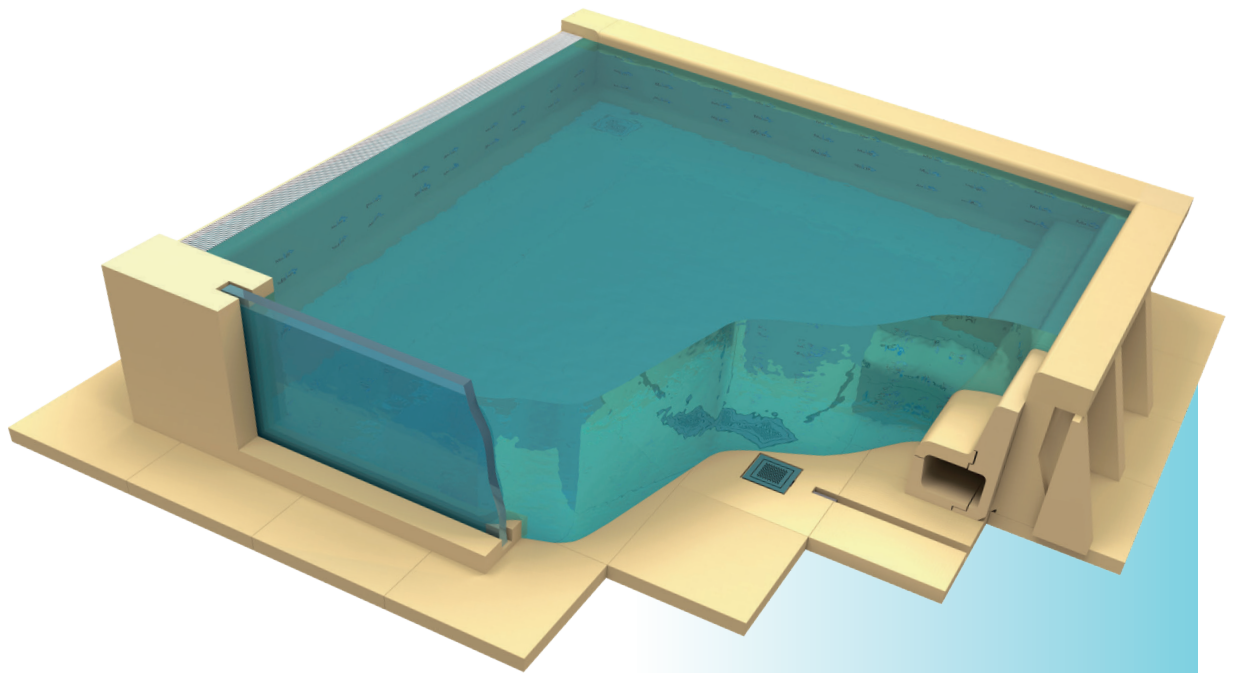
# PREFABR1K

## SWIMMING POOLS



550	MODULAR PREFABRICATED
554	SWIMMING POOLS INOX POOL
554	SKYPOOL
562	BARCELONA
564	MELBOURNE

MODULAR PREFABRICATED SWIMMING POOLS



Pre  
bet  
ned

Ideal for renovation works, attics, basements, etc. Modular designs in the construction field. freely  
It makes transportation and operation extremely easy.

Thanks to our computer-controlled systems, we enable our customers to create their own designs while avoiding potential errors.

Each component that makes up the prefabricated product ensures that pools are built and renovated according to the designers' requirements, while also maintaining the exact same appearance as a traditional pool.



Installation in challenging environments.



Modular and unconnected.



Energy saving



Water-resistant lightweight frame



Prefabricated system

LINER AND PREFABRICATED POOLS

MODULAR PREFABRICATED SWIMMING POOLS



Insulating material can be applied directly to the surface to prevent the proliferation of organisms harmful to human health that may occur due to condensation between the voids.

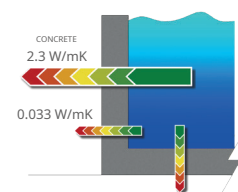
Almost no thermal loss compared to concrete ( $\lambda = 2.30 \text{ W/mK}$ ). ( $\lambda = 0.033 \text{ W/mK}$ ), there is none, meaning it pays for itself in a very short time.



Please inquire about the price.

HEAT TRANSFER COMPARISON

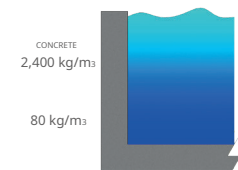
**86% saving**



Energy conductivity values as shown in the Spanish Technical Building Code (CTE).

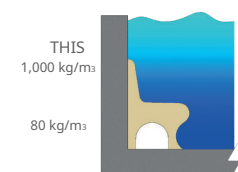
HAF1F 1SKELETAL STRUCTURE

**2320 kg**  
m3 ba\_1na  
lighter



COMPARISONED WATER VOLUME1 TABLE

**920 kg**  
m3ba\_1na  
lighter



Compact seat volume: 0.27 m³

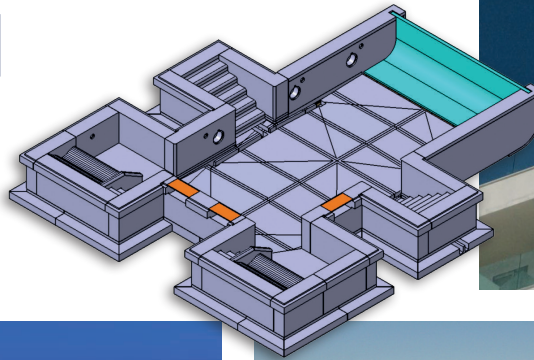
MODULAR PREFABRICATED SWIMMING POOLS- SPECIAL PROJECTS



**IBEROSTAR BAHIA PALM POOL**

74,520 kg of concrete

2,484 kg prefabricated module

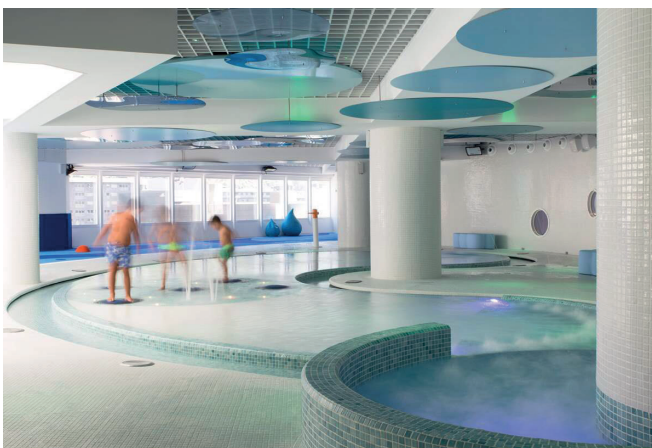
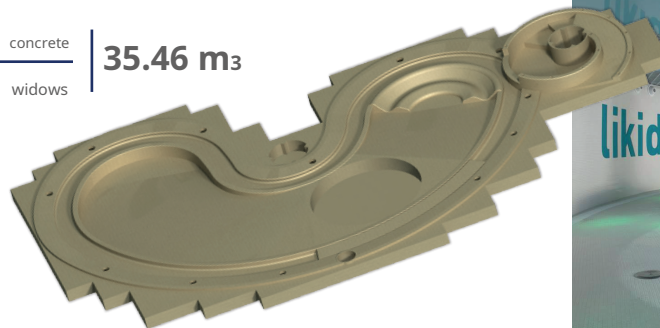


**CALDEA CHILDREN'S POOL**

85.104 kg concrete

2,837 kg prefabricated modules

**35.46 m<sup>3</sup>**



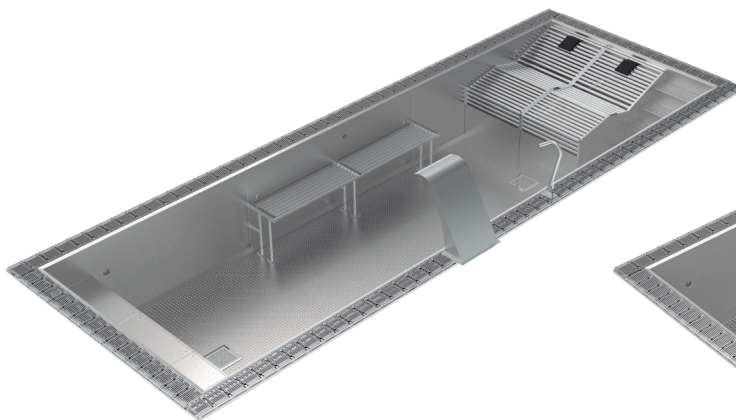
LINER AND PREFABRICATED POOLS

**INOOX POOL**



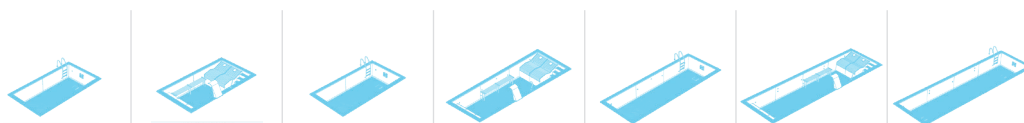
- + Made from a single piece of AISI-316L polished stainless steel. 2 mm thick. With overflow channel. Non-slip surface. Hydraulic pre-conditioning included. Ready to connect. Easy assembly.
- + Total safety and quality. We designed these stainless steel pool models for those seeking an elegant and simple lifestyle to meet all their needs. The quality and materials are excellent.
- + 2 Different models:

**COMFORT**



**SPORT**



**INOOX POOL- Models**

**MODEL COMPARISON**

	5 x 3 x 1.2 m	7 x 3 x 1.2 m		9 x 3 x 1.2 m		12 x 3 x 1.2 m	
MODELS	Sport	Comfort	Sport	Comfort	Sport	Comfort	Sport
CODE	71503	71509	71510	71516	71517	71523	71524
Unit Price EURO	160,000.00	230,000.00	180,000.00	290,000.00	230,000.00	330,000.00	270,000.00

**General Features**

1. Measurements (m)	5 x 2.85 x 1.2	7 x 2.85 x 1.2		8.84 x 2.85 x 1.2		11.84 x 2.85 x 1.2	
D1_ dimensions (m)	5.7 x 3.6 x 1.3	7.7 x 3.6 x 1.3		9.6 x 3.6 x 1.3		12.6 x 3.6 x 1.3	
Water volume (m <sup>3</sup> )	18	24		31		41	
Bo_ / Dolu a 1r11 1 (kg)	2300 / 20300	3300 / 27300	2550 / 26550	3700 / 34700	3050 / 34050	4500 / 45500	3850 / 44850

**Features**

Skimmer	-	-	-	-	-	-	-
Ta_ma emi_	2	2	2	3	3	4	4
Besi a z1	3	4	3	5	4	6	5
Vacuum a z1	1	1	1	1	1	2	2
Bottom emi_	2	2	2	2	2	2	2
Lighting	2	2	2	2	2	3	3

**Accessories**

Ladder (3 steps)	•	-	•	-	•	-	•
Step	-	•	-	•	-	•	-
Hydro-massage chair	-	•	-	•	-	•	-
Hydromassage cascade1	-	•	-	•	-	•	-
Hydro-massage water jets	-	•	-	•	-	•	-
Hydro-massage bed 1	-	•	-	•	-	•	-
Kar_1 ak1nt1	•	-	•	-	•	-	•
Cloth	-	•	-	•	-	•	-

**Recommended Equipment**

Hydraulic button and timer setting1	-	45218 + 35761	-	45218 + 35761	-	45218 + 35761	-
Blower for hydrobeds	-	31091	-	31091	-	31091	-
Blower for hydraulic seats	-	35388	-	35388	-	35388	-

**LINER AND PREFABRICATED POOLS**

**INOX POOL- Assembly**



**PREPARATION OF THE GROUND**



The base of the spa or pool must be prepared beforehand.

**TRANSFER TO LOCATION**



Manufactured as a single piece, the pool must be transported by an authorized logistics company.



Ta\_1ma must be transported by a reinforced trailer or truck to ensure it reaches the location without any problems.

**POOL INSTALLATION**



The facilities must have easy access (from the outside) to install a crane suitable for unloading and installing the spa or pool equipment from the transport vehicle.



The assembly must be checked and secured so that everything is correct. It happens in a perfect order.

**LEVEL AND SETTINGS**



Installation and commissioning of the connections is the final step before enjoying a peaceful life.

Ask AstralPool for their new Spa & Pool INOX SOLUTIONS catalog.



# SKYPOOL



## PRECISION AND ACCURACY PROVIDING LATEST TECHNOLOGY PANEL POOLS

The easiest, fastest, and most certain way to build any residential or commercial pool. SkyPool is AstralPool's series of prefabricated panel pools that can be adapted to fit existing or new infrastructure.



The ease of connecting and assembling these fully prefabricated panels means that an underground or above-ground pool can be constructed in record time.

The steel panels are coated with a hot-dip galvanizing system. This provides them with excellent protection against rust, ensuring they last longer and their safety is guaranteed throughout their service life.

## SKYPOOL- Comprehensive expert solutions

AstralPool, thanks to SkyPool, is the undisputed world leader in prefabricated pools made of galvanized steel panels. Our flexibility and strength, combined with our ability to adapt to the requirements and regulations of each market, have led us to build pools in over 60 countries, making us one of the companies with the largest international reach in the industry.

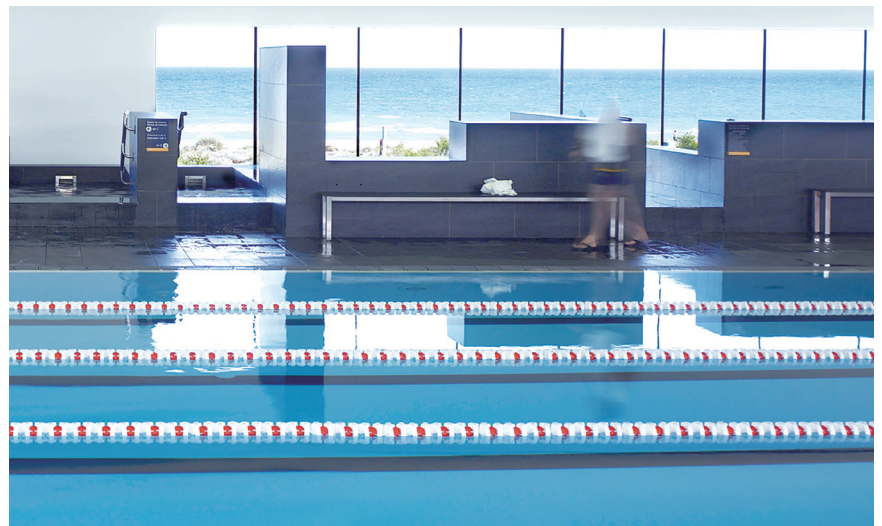
### Award-winning - Olympic Competition Pools

As leaders in this sector, we have many years of experience in developing solutions for the competitive world. We build pools of all sizes, including those required by FINA standards and regulations.

### Complete solutions.

AstralPool has a multidisciplinary team and the experience and knowledge expected of a world leader that can support you from the beginning to the end of your project.

- Project analysis.
- Preliminary design work and estimated costs.
- Recommendations regarding filtration.
- 1 manufacturing
- Site management.
- Complete installation solution.



**SKYPOOL T1CAR1 POOLS**

**SKYPOOL- It is the best choice for many reasons.**



**Fast**

The use of fully prefabricated components together with an easy assembly system, significantly reduces pool installation time

It makes you fall.



**Versatility**

This system, regardless of what's attached to the pool  
It can be used for any design.



**Long-lasting durability**

New design and manufacturing systems are used to achieve maximum quality, functionality, and durability in all pool components.

20-year warranty.



**Ha f**

Choose a location and let's build a pool there!

The advantage of the easily adaptable lightweight structure is that pools can be built even in challenging conditions. Small spaces, roofs, stadiums etc.



**Economic**

Since there is no need to build a complex infrastructure, a high-performance pool can be obtained at a lower cost.



**Trustworthy**

With a completely secure construction system. The use of qualified personnel ensures the reliability required in such facilities.



**Sustainability**

All components are recyclable, environmentally friendly.

It does not pollute and has a low environmental impact.

It is produced using processes.

**SKYPOOL- Advantages**

**1. Technology.**

The technology used in the production of SkyPool panels fully meets FINA regulations. Leveling and angle adjustment of the pool is extremely easy and effective. Access to the pool's records allows for all kinds of modifications.

**2. Waterproof - no leaks.**

There are no cracks. The perfect installation of SkyPool panels and the cultivation of the liner guarantee excellent waterproofing of the swimming pool; it also resists ground movements, filling and emptying the pool. It is designed to fit.

**3. High-strength surfaces.**

SkyPool pools, which use reinforced PVC-P line, are waterproof and also provide high safety, protection, strength and durability. In addition, It is resistant to chlorinated water and external factors.

**4. Shorter assembly time.**

The construction and assembly of the SkyPool Olympic pool (50 x 25 x 2 m) is less than that of a concrete pool. This anticipates a significant reduction in indirect costs and construction costs.

**5. Low Maintenance.**

Because it is an accessible facility, any problems are found more quickly, and repairs and maintenance are easier and cheaper.

**6. Earthquake resistant.**

Get earthquake-resistant pools. The Skypool team of engineers calculates and adapts the system according to each country's seismic regulations. On request.

## SKYPOOL- Best performance



### Technology

Thanks to the technology used in the construction of SkyPool panel pools, their precision and accuracy comply with FINA regulations.

In addition to materials resistant to settlement and expansion, we also have leveling and dimensional tolerance adjustment systems.

SkyPool is the result of using the latest technologies and experience in the design, manufacture, and installation of our pools.

### Easy-to-operate, maintain, and access pools.

A typical pool setup can be controlled from a technical gallery that provides access behind the panels for inspection, maintenance, and repair work. This means the pools don't need to be emptied for such tasks, making them easy and profitable to operate as a business concern.

### Engineering calculations<sup>1</sup>

The structural calculations for SkyPool panels are carried out to ensure the durability of our installations and their compliance with European and local standards. We conduct special seismic calculations to meet the strictest standards and provide resistance against possible earthquakes.



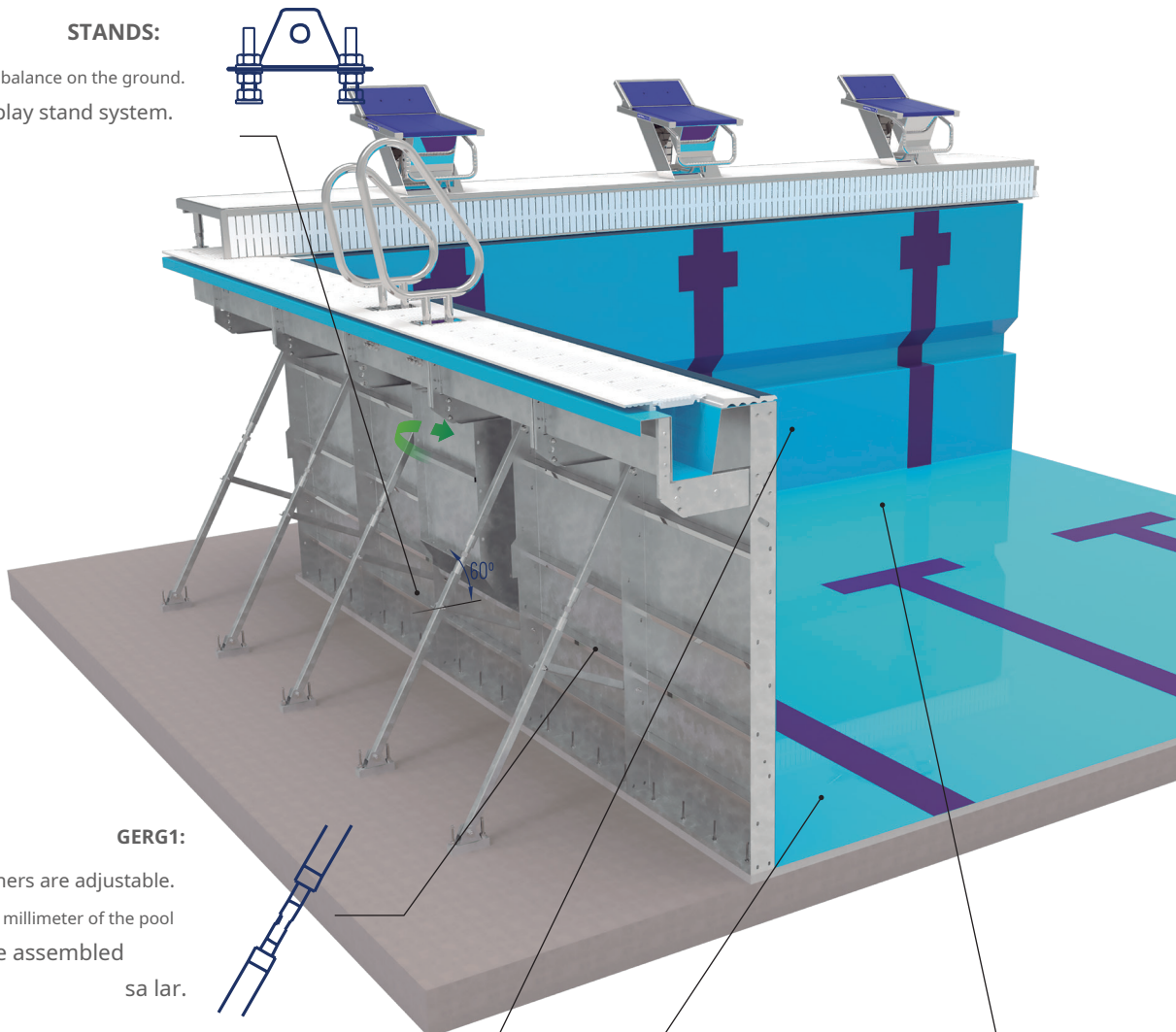
**SKYPOOL T1CAR1 POOLS**

**SKYPOOL- Best performance**



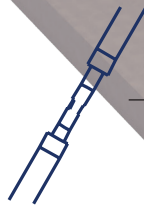
**STANDS:**

Better balance on the ground.  
display stand system.



**GERG1:**

The tensioners are adjustable.  
to the last millimeter of the pool  
to be assembled  
sa lar.



Fully modular. Can be  
used with different grid  
and ceramic tile sizes.  
It can be done.



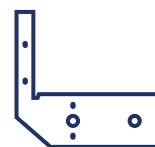
**TESV1YE:**

With a chemical anchoring system  
(30 mm)

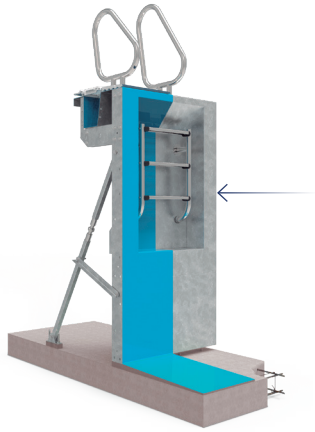


**STRENGTHENED1R1LM1\_ BRACKET**

Corner brackets provide greater resistance  
in the conveying channel and panel area.  
and provides balance.

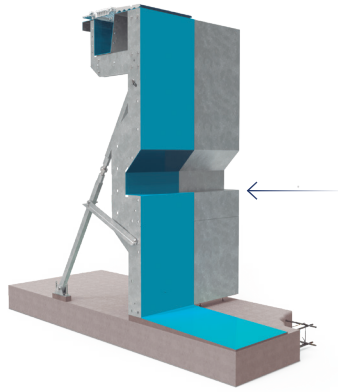


**SKYPOOL- Special panel types**



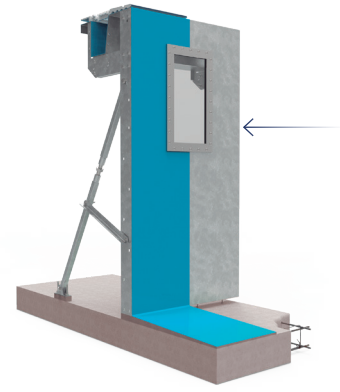
**STAIRCASE PANEL**

Panels with recessed ladders conforming to FINA standards. The divided ladder, connecting elements, and asymmetrical ladder handrails are supplied to facilitate swimmers' entry and exit from the pool.



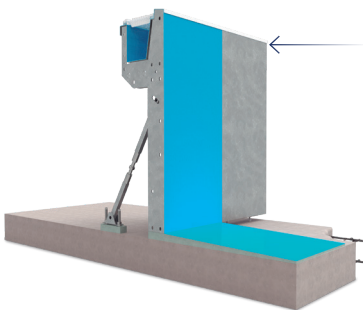
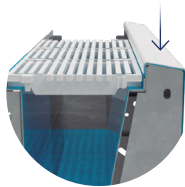
**SWIMMER REST PANEL**

A panel with a footrest on the hull at a depth of 1.2 m for swimmers to rest.



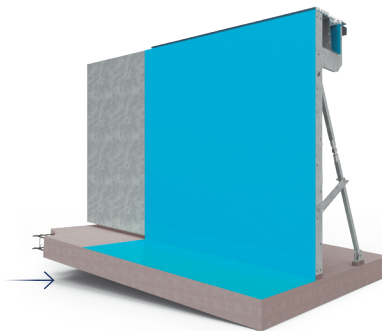
**WINDOW PANEL**

Coaches at high-performance and rehabilitation centers  
Windows so that therapists can observe swimmers underwater.



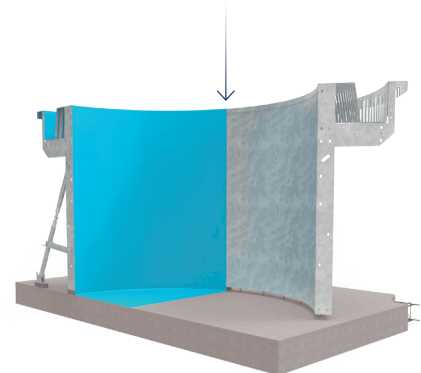
**FRONT COATED PANEL**

Specially designed panel that does not require ceramic coating on the front edge.



**PANELS**

Slanted panels can be supplied according to the specifications of an architectural project.



**ROUND PANELS**

Round and semi-circular panels.  
Ideal for health centers and entertainment areas.

**SKYPOOL COMMERCIAL POOLS**

**SKYPOOL- Panel models**



**BARCELONA PANEL**

Suitable for pools up to 2.2 m deep. Freestanding galvanized steel panel. Fixing system is only required at the bottom.

The Barcelona panel was designed for the 2003 World Swimming Championships, first held in Barcelona. The pool was installed inside the Sant Jordi Palace, next to the basketball court, without damaging the ground.

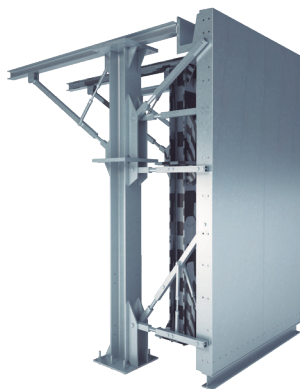
The self-supporting system allows the pool slab to be anchored to a concrete floor without the need for external fixing. This design enables differential absorption of slab subsidence at the bottom of a pool. The panels are available in hot-dip galvanized steel and stainless steel.

**CAR PANEL**

Suitable for pools up to 5 m, this is a freestanding galvanized steel panel. Top and bottom fixings are required.

CAR (High Performance Center) prefabricated panel product range for training elite athletes is specifically designed for high pool heights to meet all standards for Olympic, semi-Olympic, Paralympic, world swimming championships and water sports. Water polo, diving and synchronized swimming.

It is designed with a strong metal mesh frame fixed to both the concrete slab and the pool floor molding.



**MELBOURNE PANEL**

Suitable for pools up to 3.5 m deep, this freestanding galvanized steel panel comes with a pool walkway solution.

Prefabricated Melbourne panels were designed for the 2007 World Swimming Championships in Melbourne. The key feature of these panels is their height, which varies between 2.5 and 3.5 meters. The self-supporting frame is anchored to the base plate and has a structure for constructing the outer floor. They are ideal for building Olympic and synchronized swimming pools.

Temporary structures: These types of panels are suitable for use in temporary structures. The design of these pools makes it perfectly possible to add a pool to a stadium, and they have an outdoor floor.

**REFRESH PANEL**

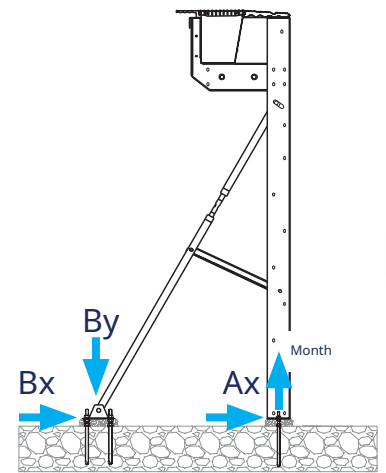
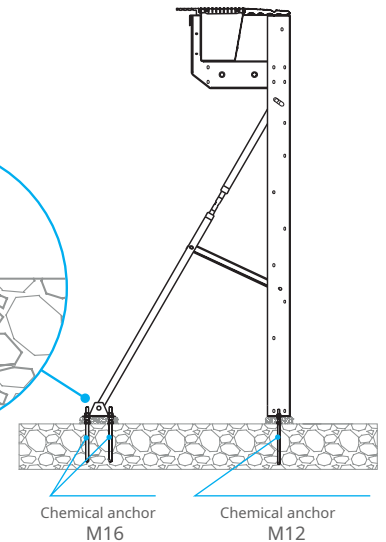
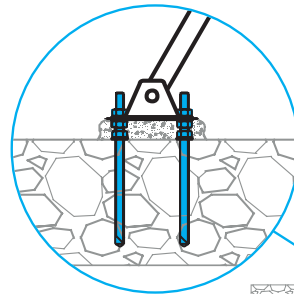
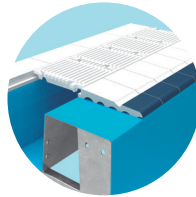
Renovation panels are the ideal solution for older pools that need to be refurbished to meet current standards and give them a new lease on life.

Quick and easy installation without the need to demolish the entire pool. Using galvanized steel renovation panels, only the pool lining needs to be removed and a new overflow channel installed. Ceramic and non-ceramic surfaces are available, and there are internal drainage outlets. The most affordable solution to give your pool a new lease on life.

# BARCELONA- Panel model



SkyPool galvanized steel self-supporting panels are suitable for pools up to 2.2 m in length.



VOLTAGE ON THE PLATE

**GENERAL FEATURES**

<b>Panel</b>	<b>Height (m)</b>	0.8	1.0	1.2	1.4	1.5	1.6	1.8	2.0	2.2	
	<b>Width (m)</b>	1.0 m standard size (custom sizes available upon request)									
<b>Panel a 1r1 1</b>	<b>(Kg)</b>	56	62	70	76	80	87	96	104	113	
<b>Tensioners</b>		M16				M20			M24		
<b>Panel anchors1</b>	<b>Chemical type</b>					M12					
<b>Reinforced anchors</b>	<b>Chemical type</b>					M12				M16	
<b>Panel fixing screws1</b>	<b>(8.8)</b>					M10					

**\* LOADS**

<b>On the panel</b>	<b>A</b>	<b>Ax (kN)</b>	- 1.79	- 2.56	- 3.01	- 4.59	- 5.52	- 6.44	- 8.47	- 10.73	- 12.99
		<b>Moan (kN)</b>	- 4.54	- 5.72	- 8.58	- 10.18	- 11.14	- 12.1	- 14.23	- 16.6	- 18.97
<b>In tension</b>	<b>B</b>	<b>Bx (kN)</b>	- 3.54	- 4.67	- 5.02	- 5.98	- 6.55	- 7.11	- 8.42	- 9.88	- 11.34
		<b>By (kN)</b>	4.07	5.25	8.7	10.34	11.32	12.29	14.46	16.86	19.26

**COATINGS AND MATERIALS**

<b>Panel material</b>	S235JR steel conforming to UNE EN 10025 standard.
<b>Panel coating1</b>	Hot-dip galvanized steel conforming to UNE-EN-ISO 1461:2009 standard.
<b>Waterproofing</b>	Reinforced ALKORPLAN-2000 liner
<b>Ceramic coating</b>	ERGO 216 non-slip + 035 non-slip

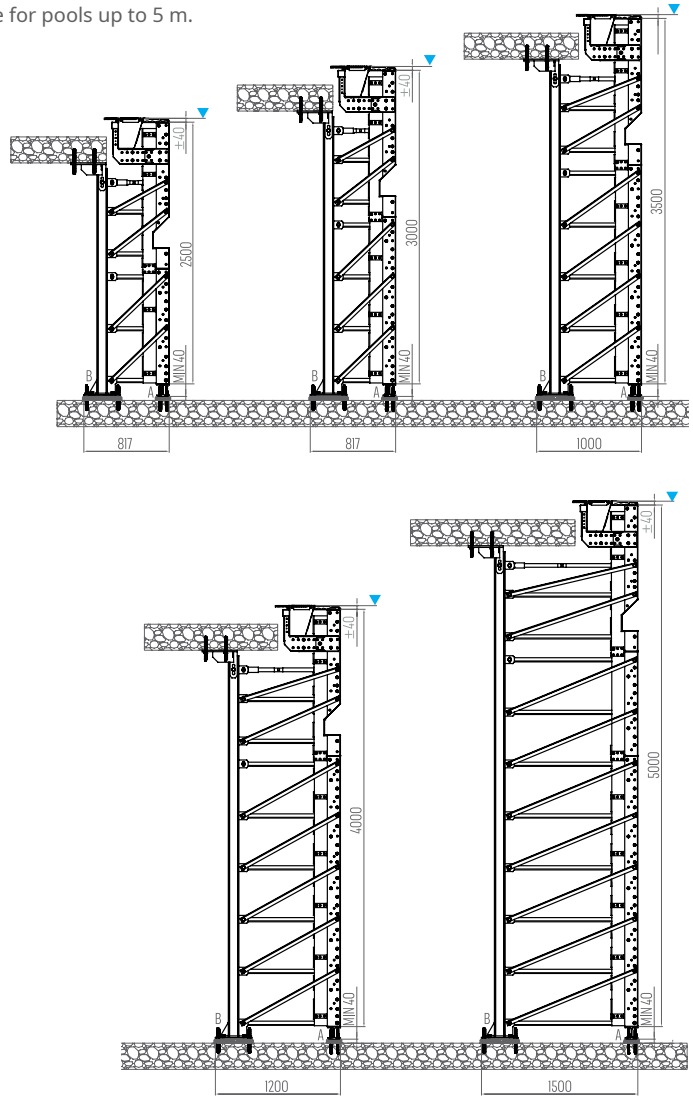
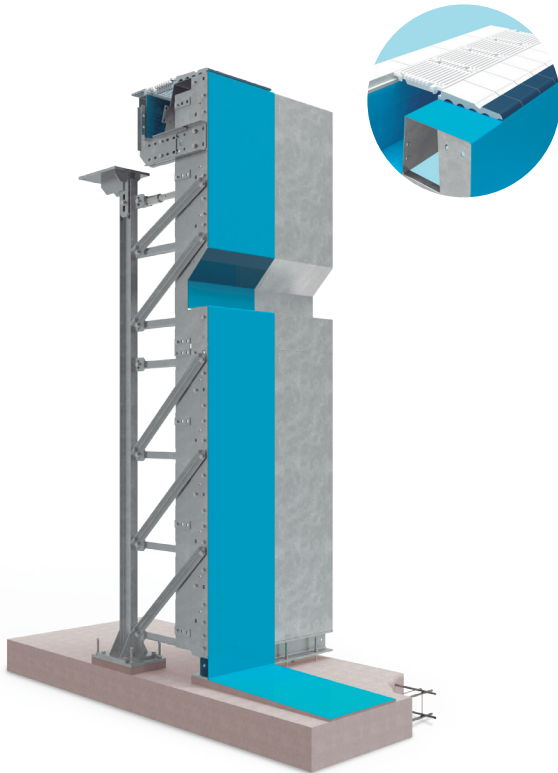
\* Water level hydrostatic load and variable loads considered in pool equipment according to UNE-EN-ISO 13451-1 standard.

**SKYPOOL COMMERCIAL POOLS**

**TSAR- Panel model**



Self-supporting galvanized SkyPool steel panel suitable for pools up to 5 m. Top and bottom fixings are required.



**GENERAL FEATURES**

Panel	Height (m)	2.5	3.0	3.5	4.0	5.0
	Width (m)	1.0 m standard size (custom sizes available upon request)				
Panel a 1r11 1	(Kg)	245	290	340	395	500
Panel anchors1	Chemical type	M12		M16		
Reinforced anchors	Chemical type	M16			M20	
Panel fixing screws1	(8.8)	M12				

**\* LOADS**

On the panel	A	Ax (kN)	Moon (kN)
		Bx (kN)	
In tension	B	By (kN)	

Details for your question.

**COATINGS AND MATERIALS**

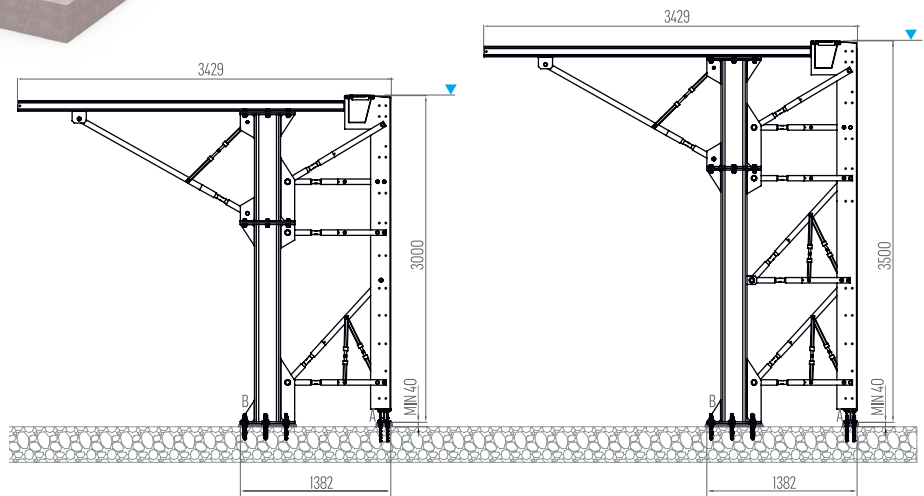
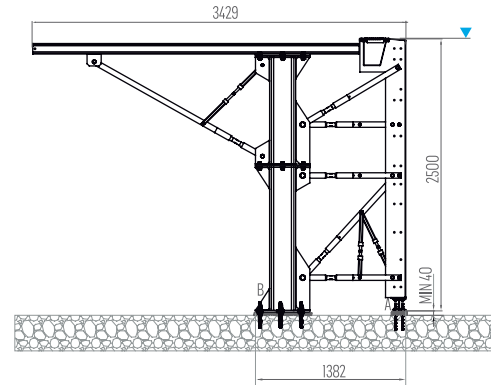
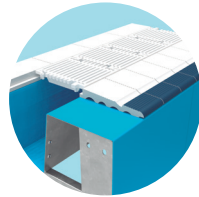
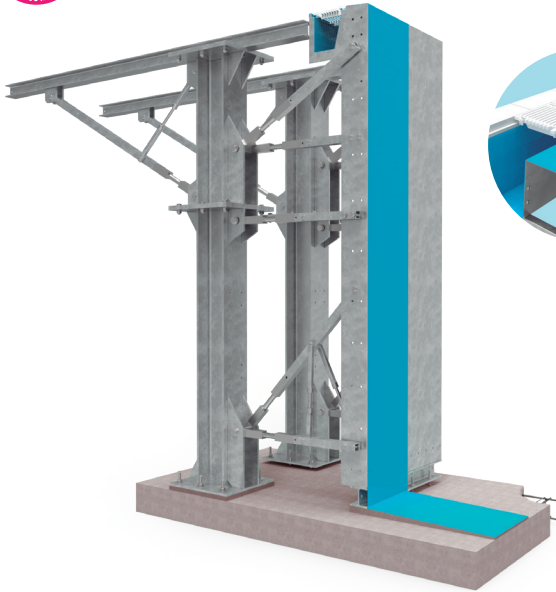
Panel material	S235JR steel conforming to UNE EN 10025 standard.
Panel coating1	Hot-dip galvanized steel conforming to UNE-EN-ISO 1461:2009 standard.
Waterproofing	Reinforced ALKORPLAN-2000 liner
Ceramic coating	ERGO 216 non-slip + 035 non-slip

\* Water level hydrostatic load and variable loads considered in pool equipment according to UNE-EN-ISO 13451-1 standard.

**MELBOURNE- Panel model**



The pool steel panel has the structure to mount the pool slab.



**GENERAL FEATURES**

Panel	Height (m)	2.5	3.0	3.5
		Width (m)	1.0 m standard size (custom sizes available upon request)	
Panel a 1r1 1	(Kg)	1255	1370	1545
Panel anchors1	Chemical type	M12		M16
Reinforced anchors	Chemical type	M16		M20
Panel fixing screws1	(8.8)	M12		

**\* LOADS**

On the panel	A	Ax (kN)	Moon (kN)
		Details for your question.	
In tension	B	Bx (kN)	By (kN)

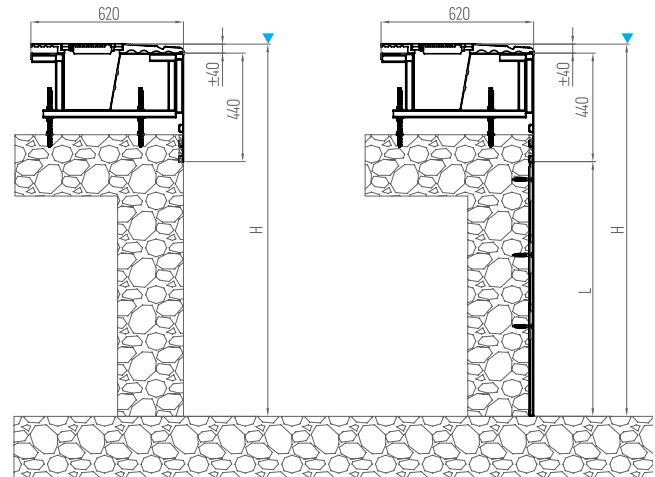
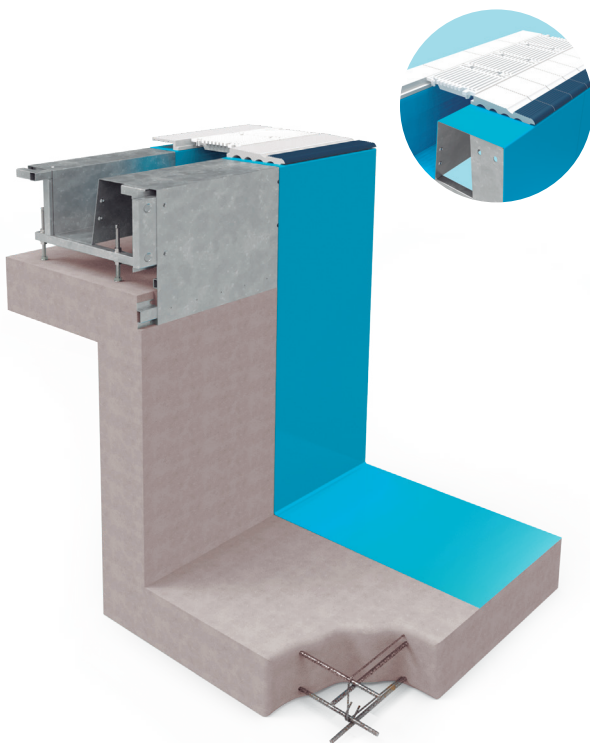
**COATINGS AND MATERIALS**

Panel material	S235JR steel conforming to UNE EN 10025 standard.
Panel coating1	Hot-dip galvanized steel conforming to UNE-EN-ISO 1461:2009 standard.
Waterproofing	Reinforced ALKORPLAN-2000 liner
Ceramic coating	ERGO 216 non-slip + 035 non-slip

\* Water level hydrostatic load and variable loads considered in pool equipment according to UNE-EN-ISO 13451-1 standard.

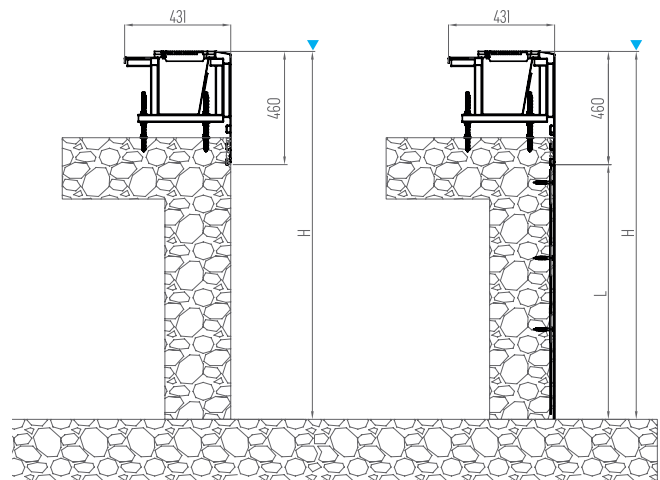
**SKYPOOL COMMERCIAL POOLS**
**REFRESH- Panel model**


Galvanized steel SkyPool panels suitable for renovating any existing pool.



Ceramic Ta\_ma Channel1

Ceramic Ta\_ma Channel 1 &amp; Wall



Ta\_ma Channel 1 (Without Ceramics)

Ta\_ama channel1 (Without ceramics) &amp; Wall

**GENERAL FEATURES**

		CERAM1K		SERAM1KS1Z	
Medicine		Ta_ma channel1	Ta_ma channel1 & wall	Ta_ma channel1	Ta_ma channel1 & wall
<b>Panel</b>	<b>Depth H (m)</b>	0.44	1.2	0.44	1.2
	<b>Depth L (m)</b>	-	-	-	-
	<b>Width (m)</b>	1.0 m standard size (custom sizes available upon request)			
<b>Panel a 1r11 1</b>	<b>(Kg)</b>	36	55	32	51
<b>Panel anchors1</b>	<b>Chemical type</b>	M12			
<b>Panel fixing screws1</b>	<b>(8.8)</b>	M6			

**COATINGS AND MATERIALS**

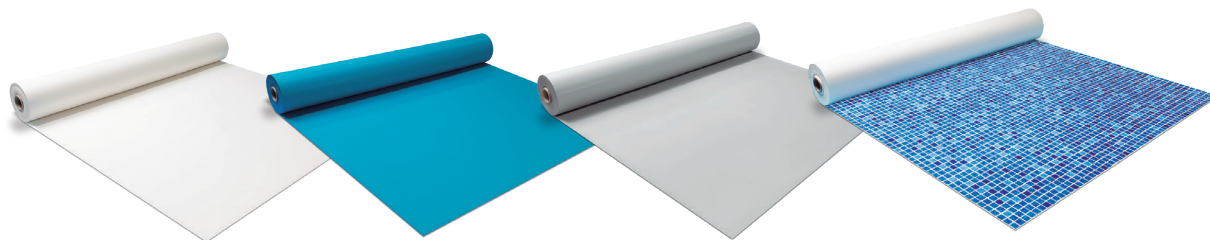
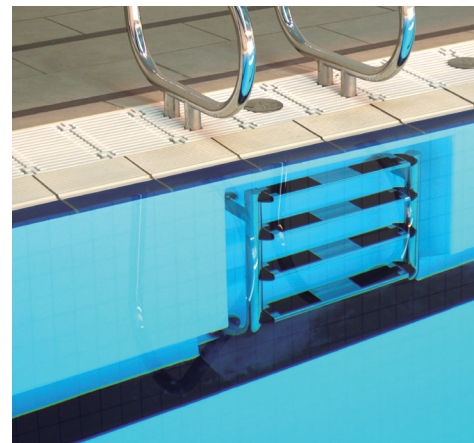
<b>Panel material</b>	S235JR steel conforming to UNE EN 10025 standard.
<b>Panel coating1</b>	Hot-dip galvanized steel conforming to UNE-EN-ISO 1461:2009 standard.
<b>Waterproofing</b>	Reinforced ALKORPLAN-2000 liner
<b>Ceramic coating</b>	ERGO 216 non-slip + 035 non-slip
	Not applicable

**SKYPOOL T1CAR1 POOLS**

**POOL WATERPROOFING** Use of reinforced PVC-P liner.



Liners made from 150/100 reinforced PVC-P (plasticized polyvinyl chloride) are the most commonly used system for covering liner pools due to their extreme flexibility, tear resistance, ease of welding, and resistance to color fading from UV rays. They are available in a wide range of colors.



Roll-2000-White

Roll-2000-Adriatic Blue

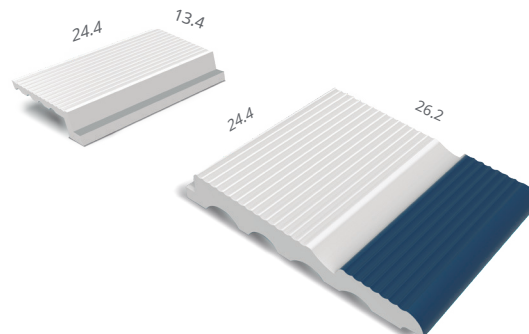
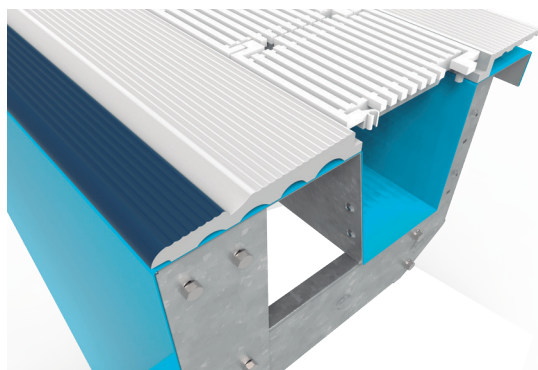
Roll-2000-Light Grey

Roll-3000-Persian Blue

**EARRING HOLDERS**



Porcelain ceramics enhance the design and visual appeal of a pool.



**SkyPool guarantee**

All our pools are certified and come with a 25-year warranty. The materials used comply with EU standards.

Our quality management system is certified (S/UNE-EN ISO 9001:2015).



