

# SWIMMING POOL INSIDE EQUIPMENTS



- 102 SK1MMERLER
  - 102 Norm Skimmer
  - 103 Standard skimmer,
  - 104 Wide\_skimmer,
  - 106 Filtered skimmer
  - 107 Skimmer Accessories and Regulators
- 108 D1P FILTERS1 / GRIDS NORM
- 109 D1P FILTER1
  - 110 Norm Bottom Filters Standard bottom
  - 111 filters ABS bottom filters
  - 112
- 114 STAINLESS STEEL DIP STRAINERS
  - STYLE bottom filters Round
  - 115 bottom strainers
- 116 ABS A TRACES
  - 116 Feeder
  - 117 Pool bottom nozzle Vacuum nozzle
  - 119
- 121 STAINLESS STEEL A TRACES

**ABS SKIMMERS**

# NORM skimmer 17.5L

## NORM skimmer wide mouth

**EXPLANATION**

The 17.5 L capacity skimmer series is suitable for installation in public and private pools. It is manufactured from UV-protected ABS material and comes with a weir cover, flow regulator plug, cover height adjustment, and basket. The water inlet is 495 x 80 mm. The recommended flow rate is 7.5 m<sup>3</sup>/h. Install skimmer every 25 m<sup>2</sup> Water line surface area. 1 1/2" and 2" bottom connections, Ø 32 mm water overflow connection.

Compliant with standards  
EN 16582-1  
EN 16713-2



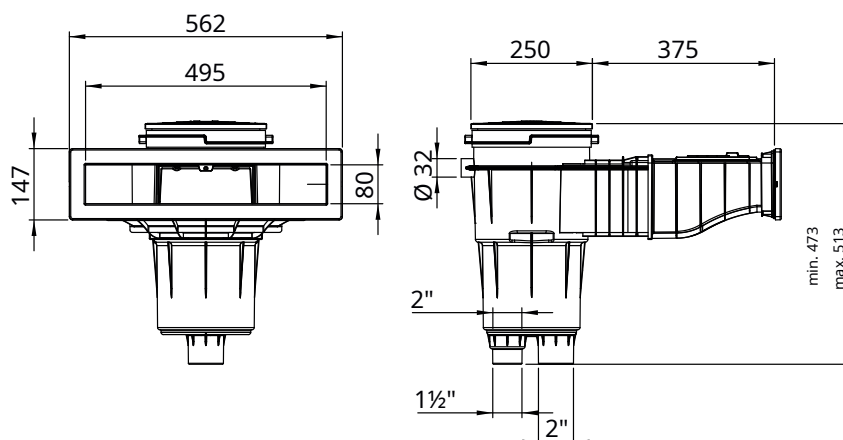
**REINFORCED CONCRETE SWIMMING POOLS 1C1N**

Norm 17.5L skimmer	Code	Standard PACKAGING	Standard Std Weight	Standard Volume m <sup>3</sup>	Unit Price EURO
White	58707	1	5.61	0.182	180.00
Beige	58707CL090	1	5.61	0.182	185.00
Gray	58707CL129	1	5.61	0.182	185.00
Anthracite	58707CL144	1	5.61	0.182	185.00

**FOR LINERS AND PREFABRICATED POOLS**



Norm 17.5 liter skimmer	Code	Standard PACKAGING	Standard Std Weight	Standard Volume m <sup>3</sup>	Unit Price EURO
<b>For liner pools, use</b>					
<b>flan_1. White</b>	56176	1	5.61	0.182	245.00
Beige	56176CL090	1	5.61	0.182	265.00
Gray	56176CL129	1	5.61	0.182	265.00
Anthracite	56176CL144	1	5.61	0.182	265.00



EN 16582-1  
EN 16713-2  
Compliant with standards

ABS SKIMMERS

# 15 L skimmers

- All skimmers in this series are resistant to UV rays.
- It is manufactured from ABS material and has a damper and flow regulator.
- The Emi\_ba lant1s1 bottom: 1 1/2" internal thread, 2" external thread.
- Pool bottom connection: Ø 50 mm adhesive.
- Ta\_ma ba lant1s1: Ø 40 mm.
- Leaf catcher.
- Recommended flow rate: 7.5 m3/h.
- It is recommended to use 1 unit for every 25 m<sup>2</sup> of water surface area.

## Skimmer standard mouth



REINFORCED CONCRETE SWIMMING POOLS 1C1N



	Code	Standard PACKAGING	Standard Std Weight	Standard Volume m <sub>3</sub>	Unit Price EURO
Round cap skimmer - WHITE Round cap skimmer - BEIGE Round cap skimmer - GR1 Round cap skimmer - ANTHRACITE	00249 00249CL090 00249CL129 00249CL144	1 1 1 1	2.95 2.95 2.95 2.95	0.059 0.059 0.059 0.059	80.00 85.00 85.00 85.00
Square lid skimmer - WHITE	00250	1	3.15	0.059	82.00

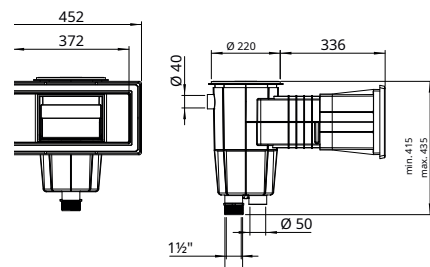
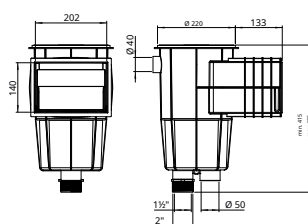
## Skimmer wide mouth



REINFORCED CONCRETE SWIMMING POOLS 1C1N



	Code	Standard PACKAGING	Standard Std Weight	Standard Volume m <sub>3</sub>	Unit Price EURO
Round cap skimmer - WHITE Round cap skimmer - BEIGE Round cap skimmer - GR1 Round cap skimmer - ANTHRACITE	00251 00251CL090 00251CL129 00251CL144	1 1 1 1	4.47 4.47 4.47 4.47	0.12 0.12 0.12 0.12	128.00 135.00 135.00 135.00
Square lid skimmer - WHITE	00252	1	3.0	0.12	128.00

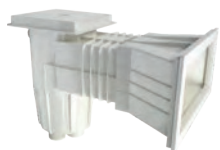


# 15 L skimmers

## Skimmer<sub>large mouth</sub>

### LINER POOLS 1 FOR 1

Adhesive gaskets are supplied along with the bolts and screws.



34413



**Round lid White Color**

34413CL09K0are cover Standard-White Color

Code	Standard PACKAGING	Standard Std Weight	Standard Volume m <sub>3</sub>	Unit Price EURO
01463	1	5.28	0.12	180.00
01464	1	5.28	0.12	190.00



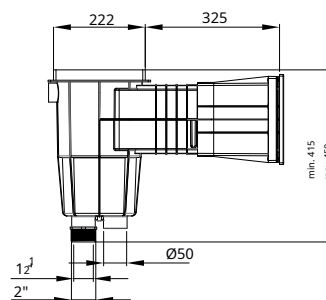
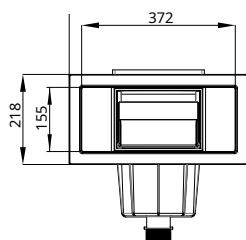
34413CL129



34413CL144



EN 16582-1  
EN 16713-2  
Compliant with standards



## Skimmer<sub>standard mouth</sub>

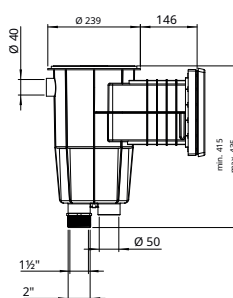
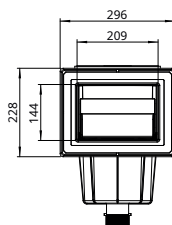
### LINER POOLS FOR

The adhesive gasket, double injection molded frame, jaws, and screws are included.



**Round lid - White Square lid - White**

Code	Standard PACKAGING	Standard Std Weight	Standard Volume m <sub>3</sub>	Unit Price EURO
01461	1	4.0	0.059	165.00
01462	1	4.0	0.059	165.00

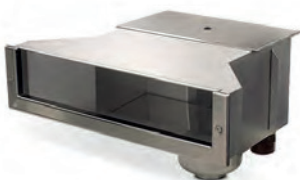


EN 16582-1  
EN 16713-2  
Compliant with standards

STAINLESS STEEL SKIMMERS

SLIM skimmer

SLIM:Stainless Steel Skimmer with High Water Level



REINFORCED CONCRETE SWIMMING POOLS 1C1N

The high-level skimmer allows for a high water level (+/- 4 cm) in the pool, creating an infinity pool effect. The water level is very close to the top of the pool. It is made entirely of AISI-316L. All models have a Ø50 mm overflow and a bay for mounting a water level regulator - (73453 - not included). It is also compatible with standard water levels on the market. It also includes adapters for prefabricated pools. Recommended flow rate 7.5 m<sup>3</sup>/h. Basket capacity 1.2L.

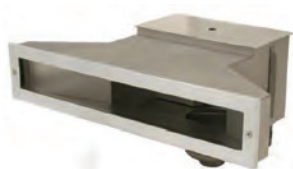
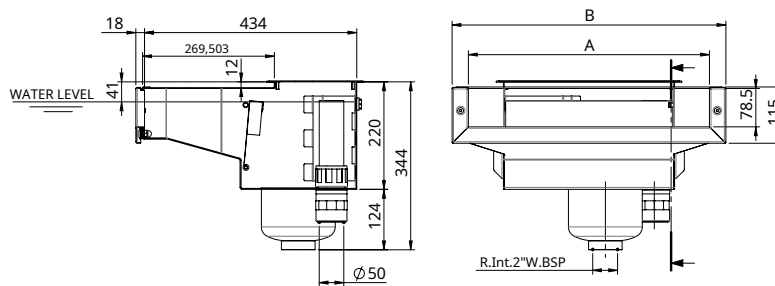
	Code	Standard PACKAGING	Standard Std Weight	Standard Volume m <sup>3</sup>	Unit Price EURO
Suction port width 500 mm	73501	1	14.80	0.136	1,800.00
Suction port width 650 mm	73502	1	15.20	0.169	1,850.00



EN 13451-1-3  
Compliant with standards



EN 16582-1  
EN 16713-2  
Compliant with standards



SLIM: A-500 & A-650

Stainless Steel Geni\_a 1z1 skimmer



REINFORCED CONCRETE AND LINER POOLS 1C1N

Made of AISI-316L stainless steel. Includes Ø50mm overflow, basket and lid. Has a mounting slot for level control valve 73453 (see page 91). With grounding connection. Recommended flow rate 7.5 m<sup>3</sup>/h. Products coded 56313 and 56316 include the awnings for prefabricated pools. 6° slope option available: 6° slope option is available for products coded 72744 and 72743. Water level +/- 8 cm. Basket capacity 1.2L.

	Code	Standard PACKAGING	Standard Std Weight	Standard Volume m <sup>3</sup>	Unit Price EURO
Suction port width 500 mm	56313	1	14.84	0.136	1,800.00
Suction port width 650 mm	56316	1	15.84	0.136	1,900.00

# Filtered skimmer

## Filtered Skimmer



73158  
73159  
73160

73161  
73162  
73163

### EXPLANATION

17.5 L skimmer with integrated cartridge system. Made of UV-resistant ABS. Includes lid, skimmer basket and 2 cartridge filters. Features  $\varnothing 32$  mm top,  $\varnothing 63$  mm bottom and  $\varnothing 50$  mm side connections. The side connections are for suction nozzles.

Color change is possible with EASYCOLOR. This accessory can be attached without changing the skimmer nozzle.

### REINFORCED CONCRETE SWIMMING POOLS 1C1N



	Code	Standard PACKAGING	Standard A 1r1k kg	Standard Volume m <sup>3</sup>	Unit Price EURO
<b>White</b>					
Filtered skimmer with 2 cartridges, 16 m capacity.3	<b>73158</b>	1	12	0.32	<b>610.00</b>
Filtered skimmer with 2 cartridges, 20 m3.	<b>73161</b>	1	13	0.32	<b>640.00</b>



EN 16713-1  
Compliant with standards



EN 16582-1  
EN 16713-2  
Compliant with standards

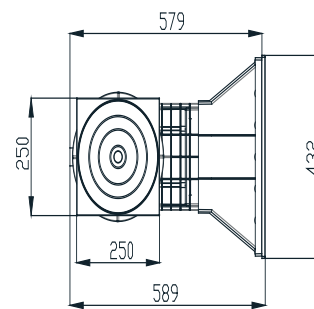
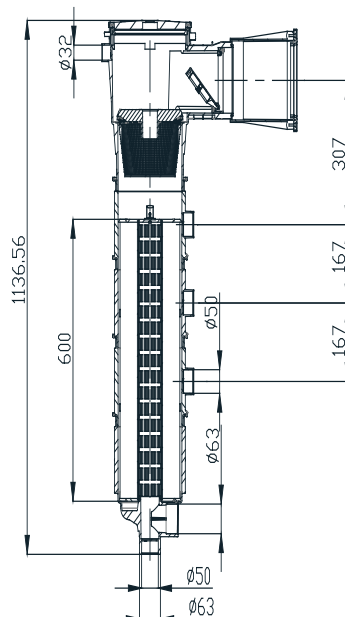
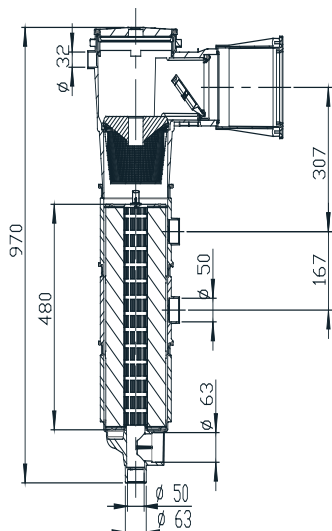
### FOR LINERS AND PREFABRICATED POOLS



	Code	Standard PACKAGING	Standard Std Weight	Standard Volume m <sup>3</sup>	Unit Price EURO
<b>White(1)</b>					
Filtered skimmer with 2 cartridges, 16 m capacity.3	<b>73159</b>	1	12	0.32	<b>655.00</b>
Filtered skimmer with 2 cartridges, 20 m3.	<b>73162</b>	1	13	0.32	<b>700.00</b>
Cartridge 16 m <sup>3</sup> /h - 15 microns Cartridge 20 m3/h - 15 microns	<b>73164</b>	1	1.66	0.022	<b>175.00</b>
	<b>71365</b>	1	1.82	0.026	<b>215.00</b>

It can be complemented with EASYCOLOR colored caps, code 73166.

(1) Codes 73159 and 73162 will be delivered with 2 sets of screws - DIN 7982 A4 5.5x25 and 32.



LEVEL REGULATORS

# Level regulators

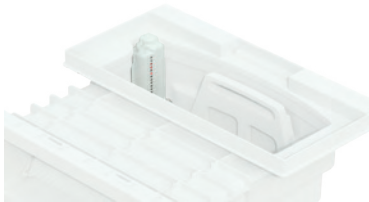
## UNIK level sensor



FOR ALL POOL TYPES

UNIK skimmers feature an integrated, adjustable water level sensor with an ABS protective cover. The sensor level kit is located and secured in one corner of the skimmer. The user can adjust the water level along the height of the strainer opening (+/-70 mm). A 10-meter cable is included. The sensor level can regulate water level fluctuations by +/-10 mm.

	Code	Standard PACKAGING	Standard Std Weight	Standard Volume m <sup>3</sup>	Unit Price EURO
UNIK Level Sensor	75973	1	0.40	0.002	235.00



## Water level regulator

FOR ALL POOL TYPES

Made of ABS. Can be attached from the bottom or side if required. Semi-mold cutouts for optimal pool connection. Adjustable cover height and level. For all types of skimmers. The cover color can be changed using the 15L skimmer colored covers on page 88: 00249-0700CL090, 00249-0700CL129, 00249-0700CL144.



	Code	Standard PACKAGING	Standard Std Weight	Standard Volume m <sup>3</sup>	Unit Price EURO
	15862	1	2.0	0.016	110.00

## Level setting buoy



REINFORCED CONCRETE SWIMMING POOLS 1C1N

Model A-202 can be fitted to all stainless steel skimmers except 56313-56316-72743-72744-73501-73502. Adjustable opening. 3/8" connection.



	Code	Standard PACKAGING	Standard A 1r1k kg	Standard Volume m <sup>3</sup>	Unit Price EURO
	00256	1	0.21	0.016	50.00

## Level setting buoy



REINFORCED CONCRETE SWIMMING POOLS 1C1N

Level regulator compatible with SLIM series stainless steel skimmers. Compatible with the following products: 56313, 56316, 72743, 72744, 73501, 73502. 3/8" side mount and adjustable float.



	Code	Standard PACKAGING	Standard Std Weight	Standard Volume m <sup>3</sup>	Unit Price EURO
	73453	1	0.9	0.008	80.00

## Pool bottom suction information

### Pool bottom suction information

## EN 16713-02: 2016 - bottom suction

### POOL 1Q1 RISKS

How can it be prevented?

#### SWIMMING POOLS

#### ANTI-VORTEX COVER usage1m1

Pool ba\_1na dip emi\_ say1s1 :1. piece

#### Without using an anti-vortex lid.

dip emi\_ler aras1, **minimum distance of 1 meter** And if either of the two main bottom drains is blocked, the remaining system **It must have the capacity to meet 100% of the flow rate.**

#### SWIMMING POOL

#### REFRESH

#### D1P EM1\_ COMPLETE DE 1\_1M

Product selection and i\_imi **It is done according to the new rules.**

#### D1P EM1\_ DE 1\_1M1N1N CANNOT BE DONE I SITUATIONS

The current installed BUTTON SUCTION **Compliance with the rules is ensured with the anti-vortex grid.**

### GRILL DIMENSIONS

The calculation of bottom suction holes must conform to mathematical principles.

#### D1 ERLER1

To design a compatible bottom emi\_i, it must be designed in accordance with EN standards.

For example, the grille design is very important to prevent human body limbs or hair from getting caught.

Maximum 0.5 m/s

**Your pool has a Certificate of Conformity1 However, it must meet all the requirements of standard1. It can be given upon fulfillment!**

\* The anti-vortex plate is a special component fitted to the suction line to control turbulence in a flowing fluid. These plates prevent cavitation in the fluid according to UNE-EN 13451-3 by controlling the fluid velocity.

ABS BUTTON FILTERS

# NORM bottom filters

- All bottom filters are made of UV-resistant ABS.
- To prevent vacuum risks, use bottom filters that comply with local and international standards.
- Recommended usage: Maximum emission speed 0.5 m/s.



## NORM bottom filter

REINFORCED CONCRETE SWIMMING POOLS 1C1N



Suitable for private and public pools. Available in flat or anti-vortex grate types. Made of UV-resistant ABS material, with 2" side and 1 1/2" bottom connections.

	Code	Standard PACKAGING	Standard Std Weight	Standard Volume m <sub>3</sub>	Unit Price EURO
<b>Antivortex 1grill1</b>					
White	56379	4	10.60	0.069	43.00
Beige	56379CL090	4	10.60	0.069	46.00
Gray	56379CL129	4	10.60	0.069	46.00
Anthracite	56379CL144	4	10.60	0.069	46.00
<b>Flat 1grill1</b>					
White	56378	4	10.60	0.069	42.00
Beige	56378CL090	4	10.60	0.069	45.00
Gray	56378CL129	4	10.60	0.069	45.00
Anthracite	56378CL144	4	10.60	0.069	45.00

Also available in other colors.

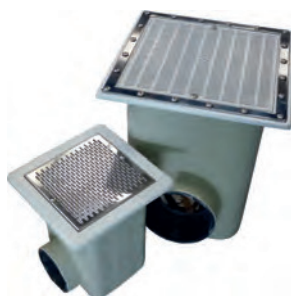
FOR LINER POOLS



	Code	Standard PACKAGING	Standard Std Weight	Standard Volume m <sub>3</sub>	Unit Price EURO
<b>Antivortex Grille1</b>					
White	56382	4	10.60	0.069	80.00
Beige	56382CL090	4	10.60	0.069	83.00
Gray	56382CL129	4	10.60	0.069	83.00
Anthracite	56382CL144	4	10.60	0.069	83.00
<b>Flat grill</b>					
White	56380	4	10.60	0.069	80.00
Beige	56380CL090	4	10.60	0.069	83.00
Gray	56380CL129	4	10.60	0.069	83.00
Anthracite	56380CL144	4	10.60	0.069	83.00

## Standard bottom filters

### Norm bottom filter Berglas - 330 mm x 330 mm



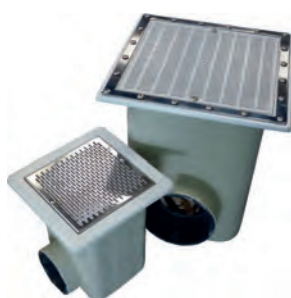
EN 13451-1/3 2012  
It conforms to Standard1.

#### EXPLANATION

Bottom strainers are made of fiberglass and resin. Adhesive-fitted connections. AISI-316L stainless steel grate. Minimum installation depth: 1.5 m. Recommended maximum suction. Velocity and flow rate: 0.5 m/s - 103 m<sup>3</sup>/h.

		Code	Standard PACKAGING	Standard Std Weight	Standard Volume m <sup>3</sup>	Unit Price EURO
<b>Stainless steel grille AISI-316L</b>						
<b>Adhesive connection</b>		<b>Emi_ flow rate</b>				
Ø 75 mm	15 m <sup>3</sup> /h	20282N	1	8	0.08	650.00
Ø 90 mm	23 m <sup>3</sup> /h	20283N	1	9	0.08	660.00
Ø 110 mm	27 m <sup>3</sup> /h	20284N	1	10	0.08	670.00

### Norm bottom filter Berglas - 507 mm x 507 mm



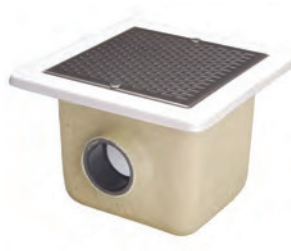
EN 13451-1/3 2012  
It conforms to Standard1.

#### EXPLANATION

Bottom filters are made of fiberglass and resin. They have adhesive connections. Features an AISI-316L stainless steel grate. Minimum installation depth: 1.5 m. Recommended maximum suction speed and flow rate: 0.5 m/s - 103 m<sup>3</sup>/h.

		Code	Standard PACKAGING	Standard Std Weight	Standard Volume m <sup>3</sup>	Unit Price EURO
<b>Stainless steel grille AISI-316L</b>						
<b>Adhesive connection</b>		<b>Emi_ flow rate</b>				
Ø 110 mm	42 m <sup>3</sup> /h	20285N	1	16	0.23	900.00
Ø 125 mm	51 m <sup>3</sup> /h	20286N	1	17	0.23	910.00
Ø 140 mm	66 m <sup>3</sup> /h	20287N	1	18	0.23	950.00
Ø 160 mm	95 m <sup>3</sup> /h	20288N	1	19	0.23	980.00
Ø 200 mm	103 m <sup>3</sup> /h	20289N	1	20	0.23	1,060.00

### Standard bottom strainer Berglas - 330 mm x 330 mm



#### EXPLANATION

Gelcoat-coated bottom strainers are manufactured from fiberglass and resin. They feature adhesive connections. Recommended maximum suction flow rates according to EN 13451-1 standard are 16-43 m<sup>3</sup>/h.

		Code	Standard PACKAGING	Standard Std Weight	Standard Volume m <sup>3</sup>	Unit Price EURO
<b>Stainless steel grille (AISI-316-L) with grille holes &lt;8mm</b>						
<b>GLUE CONNECTION</b>		<b>Emi_ flow rate</b>				
Ø 75 mm	16 m <sup>3</sup> /h	20282	1	5	0.047	500.00
Ø 90 mm	22 m <sup>3</sup> /h	20283	1	5	0.047	510.00
Ø 110 mm	33 m <sup>3</sup> /h	20284	1	5	0.047	520.00
<b>UV resistant ABS grille With adhesive connection</b>						
<b>Emi_ flow rate</b>						
Ø 75 mm	16 m <sup>3</sup> /h	22359	1	4.5	0.034	285.00
Ø 90 mm	22 m <sup>3</sup> /h	22360	1	4.5	0.034	300.00
Ø 110 mm	33 m <sup>3</sup> /h	22361	1	4.5	0.034	325.00
Ø 125 mm	43 m <sup>3</sup> /h	22362	1	4.5	0.034	340.00

**ABS BUTTON FILTERS**

# Standard bottom emi\_ 1zgrilar1



## Square grid with ABS frame.(private pools)

REINFORCED CONCRETE SWIMMING POOLS 1C1N



ØStainless steel and ABS plastic grille options are available; the carrier frame is made of ABS.

	Code	Standard PACKAGING	Standard A 1r11k kg	Standard Volume m <sup>3</sup>	Unit Price EURO
Plastic grille 450 x 390 mm Plastic	00283	1	-	0.0540	225.00
grille 410 x 410 mm Plastic grille 252 x	34333	1	-	0.0540	162.00
252 mm Stainless steel grille 410 x 410	34331	1	-	0.0129	100.00
mm Stainless steel grille 252 x 252 mm	34334	1	-	0.0540	485.00
	34332	1	-	0.0129	240.00

## Antivortex bottom strainer cover 1

Specially designed, smooth surface to prevent pool robots and cleaners from getting caught. They are compatible with the 415 mm x 415 mm antivortex cover 1n1n (25344).


 EN 13451-1-3  
Compliant with Standard


Stainless Steel Grill	Code	Standard PACKAGING	Standard A 1r11k	Standard Volume (m <sup>3</sup> )	Unit Price (EURO)
415x415	20282	1			500,00
415x415	20283	1			512,00
415x415	20284	1			520.00

ABS 1 grille	Code	Standard PACKAGING	Standard A 1r11k	Standard Volume (m <sup>3</sup> )	Unit Price (EURO)
415x415	22359	1			285.00
415x415	22360	1			290.00
415x415	22361	1			325.00

## Antivortex cover polyester bottom strainer



	Code	Standard PACKAGING	Standard Weight (kg)	Standard Volume (m <sup>3</sup> )	Unit Price EURO
415 mm	25344	1	1.25	0.012	360.00
	28556	1	4.00	0.032	580.00

ABS BOTTOM FILTERS1

Standard bottom filters



01467



01467CL090



01467CL129



01467CL144



EN 16582-1  
Compliant with Standard1



00271



00271CL090



00271CL129



00271CL144



Liner Pool

Reinforced Concrete Pool	Code	Standard PACKAGING	Standard Std Weight	Standard Volume m <sup>3</sup>	Unit Price EURO
White	01467	4	2.8	0.055	27.00
Beige	01467CL090	4	2.8	0.055	28.00
Light Gray	01467CL129	4	2.8	0.055	28.00
Anthracite	01467CL144	4	2.8	0.055	28.00

Liner Pool	Code	Standard PACKAGING	Standard Std Weight	Standard Volume m <sup>3</sup>	Unit Price EURO
White	00271	4	4.0	0.033	64.00
Beige	00271CL090	4	4.0	0.033	68.00
Light Gray	00271CL129	4	4.0	0.033	68.00
Anthracite	00271CL144	4	4.0	0.033	68.00

Ø 200 mm bottom strainer



EN 16582-1  
Compliant with Standard1

Made from UV-resistant ABS material. Features 2" side and 1 1/2" bottom outlets. The bottom outlet is closed with a semi-cut socket that can be opened when needed. Max. flow rate: 13 m<sup>3</sup>/h.

Compliant with EN16582-1 and EN-16713 standards.



27839



27838

Reinforced Concrete Pool	Code	Standard PACKAGING	Standard A 1r11k kg	Standard Volume m <sup>3</sup>	Unit Price EURO
Standard gear - White	27839	4	2.807	0.033	26.00

Liner Pool	Code	Standard PACKAGING	Standard Std Weight	Standard Volume m <sup>3</sup>	Unit Price EURO
Standard gear - White	27838	4	3.391	0.033	54.00

Ø 290 mm bottom strainer

EXPLANATION

290 mm bottom strainer, PARKER model, with 5 cm side outlet and 30 cm bottom outlet. Specifically designed for liner pools. Made entirely of white ABS material. Comes with stainless steel screws and synthetic adhesive gaskets. Side outlet plug for testing water tightness. Bottom outlet plug for installing hydrostatic valve (code 00277) and drain pipe (code 21581). Suction speed of 0.5 m/s. Recommended maximum flow rate: 13 m<sup>3</sup>.s/h. Mounted flush with the pool bottom for total drainage. Complies with standards: EN 16582-1; EN 16713-2



Product	Lid	Code	Standard Packaging j	Standard a 1r11k (kg)	Standard volume (m <sup>3</sup> )	Unit Price EURO
For Liner Pools		00270	4	6	0.055	72.00

ABS D1P FILTERS1

Square 210 mm x 210 mm bottom strainer



00258 - 00273



EN 16582-1  
conforming to standard1



REINFORCED CONCRETE SWIMMING POOLS 1C1N

Square 2" outlet bottom strainer made of UV-resistant ABS. Maximum suction flow rate 13 m<sup>3</sup>/h.

	Code	Standard PACKAGING	Standard Std Weight	Standard Volume m <sup>3</sup>	Unit Price EURO
	00258	4	4.0	0.044	30.00
Square bottom suction_ - Beige Square	00258CL090	4	4		
bottom suction_ - Light gray Square	00258CL129	4	4		
bottom suction_ - Anthracite	00258CL144	4	4		



LINER POOLS 1 FOR 1

UV-resistant 2" side outlet. Housing and grille made of UV-resistant ABS. Comes with self-adhesive gaskets, flanges and screws. Recommended maximum flow rate: 13 m<sup>3</sup>/h.

	Code	Standard PACKAGING	Standard Std Weight	Standard Volume m <sup>3</sup>	Unit Price EURO
	00273	4	5.5	0.043	78.00

Ø 200 ABS Square bottom EMI-resistant - white



REINFORCED CONCRETE SWIMMING POOLS 1C1N

Grille made of Ø 200mm ABS, carrier frame made of ABS.

	Code	Standard PACKAGING	Standard Std Weight	Standard Volume m <sup>3</sup>	Unit Price EURO
	00280	10	3.0	0.031	15.00



Norm bottom suction grill



74097

74097CL090



74097CL129

74097CL144



EN 16582-1  
conforming to standard1



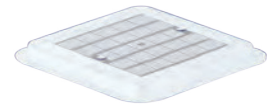
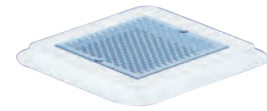
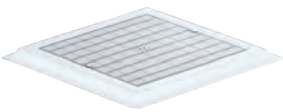
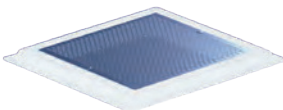
Complies with Apt. 4.4.1 b.2  
of EN 16713-2:2017

SUITABLE FOR ALL POOL TYPES

A standard replacement grate for existing bottom filters in private pools, in accordance with pool regulations. Made from UV-resistant PP. Compatible with bottom filters 01467, 27837, and 27839. Complies with EN16582 and EN 16713 standards.

	Code	Standard PACKAGING	Standard Std Weight	Standard Volume m <sup>3</sup>	Unit Price EURO
White	74097	6	3	0.033	13.00
Beige	74097CL090	6	3	0.033	13.50
Gray	74097CL129	6	3	0.033	13.50
Anthracite	74097CL144	6	3	0.033	13.50

Square grid with fiberglass frame



REINFORCED CONCRETE SWIMMING POOLS 1C1N

Available in stainless steel and ABS plastic grille options, the carrier frame is made of berglas resin. Compatible with antivortex covers coded 25344 and 28556.

	Code	Standard PACKAGING	Standard Std Weight	Standard Volume m <sup>3</sup>	Unit Price EURO
<b>Stainless steel grille</b>					
490 mm x 490 mm	28560	1	5.0	0.029	475.00
345 mm x 345 mm	28562	1	3.0	0.029	435.00
<b>Plastic grill</b>					
490 mm x 490 mm	28561	1	4.7	0.029	440.00
345 mm x 345 mm	28563	1	2.9	0.029	405.00

**STAINLESS STEEL DIP STRAINERS**

**STYLE bottom strainer**

stainless steel. 2"connection111



75180, 75181  
75184, 75185

**EXPLANATION**

Manufactured from AISI-316L grade stainless steel. This product series, featuring 2" side connections, offers flat/anti-vortex type grilles in square or round shape options.

Liner-compatible models come with gaskets, flanges, and screws.

Maximum flow rate: 13 m3/h



75182, 75183  
751866, 75187

For Reinforced Concrete Pools	Code	Standard PACKAGING	Standard Std Weight	Standard Volume m <sup>3</sup>	Unit Price EURO
Round - Anti-vortex Grille	75180	1	3.97	0.026	560.00
Round - Flat Grille	75181	1	3.70	0.026	460.00
Square - Antivortex Grid	75182	1	4.20	0.026	620.00
Square - Flat Grid	75183	1	3.96	0.026	485.00

**Round bottom strainer**

2" connection stainless steel



UNE-EN 16582-1  
UNE-EN-16713-2  
It conforms to standards 1.



00268

2" internal threaded connection. Made of AISI-316L stainless steel. Includes grate fixing screws. Maximum flow rate 13 m<sup>3</sup>/h.



26196

For Reinforced Concrete Pools	Code	Standard PACKAGING	Standard Std Weight	Standard Volume m <sup>3</sup>	Unit Price EURO
2" Side connection	00268	1	2.56	0.02	345.00
2" side and 1 1/2" bottom connection	26196	1	2.80	0.02	640.00

**Square lid bottom filter**

stainless steel 2" connection



**REINFORCED CONCRETE SWIMMING POOLS 1C1N**

Manufactured from AISI 316L stainless steel. Features a 1 1/2" threaded side outlet and an anti-vortex cover. Suitable for use in concrete pools and prefabricated pools with adapter code 00276. Maximum suction flow rate is 6 m<sup>3</sup>/h.



	Code	Standard PACKAGING	Standard Std Weight	Standard Volume m <sup>3</sup>	Unit Price EURO
2" Side connection	00269	1	1.14	0.01	220.00

STAINLESS STEEL DIP STRAINERS

**Ø 200 grill stainless steel**



REINFORCED CONCRETE SWIMMING POOLS 1C1N



Ø 200 mm AISI-316 stainless steel grate, ABS frame. Maximum emission rate: 13 m3/h.  
It complies with EN-13451/16582/16713.

	Code	Standard PACKAGING	Standard Std Weight	Standard Volume m <sub>3</sub>	Unit Price EURO
Ø 200 mm AISI-316 stainless steel bottom strainer	00279	10	6.0	0.02	63.00

**Ø 300 dip bottom suction grill stainless steel**



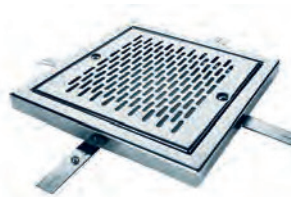
REINFORCED CONCRETE SWIMMING POOLS 1C1N



Ø 300 mm AISI-316 stainless steel grate, aluminum frame. Maximum discharge rate: 27 m3/h.

	Code	Standard PACKAGING	Standard kg	Standard Volume m <sub>3</sub>	Unit Price EURO
Ø 300 mm stainless steel bottom strainer	00282	4	5.8	0.02	165.00

**Square bottom grill stainless steel**



REINFORCED CONCRETE SWIMMING POOLS 1C1N

Designed for reinforced concrete pools. Support frame and grate made of polished stainless steel. Supplied with fixing screws. Other sizes available upon order.

	Code	Standard PACKAGING	Standard kg	Standard Volume m <sub>3</sub>	Unit Price EURO	
<b>AISI-304</b>						
Dimensions (mm)	<b>Maximum recommended</b>					
200 x 200	<b>flow rate</b> 15 m3/h (0.5 m/s)	00284	1	1.2	0.01	460.00
300 x 300	43 m3/h (0.5 m/s) 83 m3/h	00285	1	2.2	0.01	520.00
400 x 400	(0.5 m/s) 136 m3/h (0.5 m/s)	00286	1	4.0	0.03	580.00
500 x 500		00287	1	4.5	0.04	625.00
<b>AISI-316L</b>						
Dimensions (mm)	<b>Maximum recommended</b>					
200 x 200	<b>flow rate</b> 15 m3/h (0.5 m/s)	30764	1	1.2	0.01	510.00
300 x 300	43 m3/h (0.5 m/s) 83 m3/h	30765	1	2.2	0.01	540.00
400 x 400	(0.5 m/s) 136 m3/h (0.5 m/s)	30766	1	4.0	0.03	600.00
500 x 500		30767	1	4.5	0.04	685.00

**Antivortex 1 Grille stainless steel**

REINFORCED CONCRETE SWIMMING POOLS 1C1N



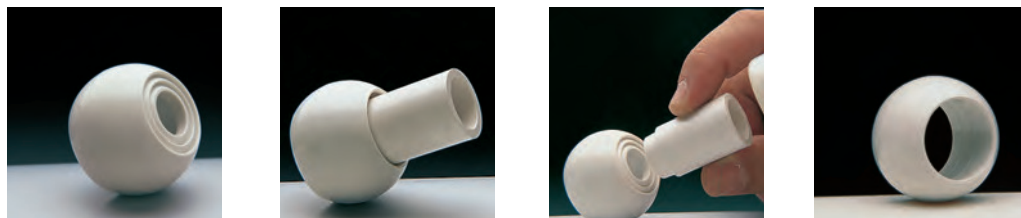
This standard grate is for replacing the existing grates in private pools' old bottom filters, in accordance with pool regulations. It is made of AISI-316L. It is compatible with bottom filters 00268 and 26196. It is compliant with EN-18582-1 and EN16713-2.

	Code	Standard PACKAGING	Standard kg	Standard Volume m <sub>3</sub>	Unit Price EURO
Antivorteks 1zgara is compatible with 00268-26196 bottom suction filters.	74807	1	0.8	0.017	360.00

# Multi-ow feed openings

## Multi-flow (different flow rate) system

- The feed opening's eyeball is provided with a pre-marked range of diameters (14-20 and 25). One of the diameters can be cut during assembly using a punch (supplied with the opening).
- Maximum recommended flow rate at 4 m/s:  
 $\varnothing 14 \text{ mm} = 2.2 \text{ m}^3/\text{h}$ ,  $\varnothing 20 \text{ mm} = 4.5 \text{ m}^3/\text{h}$ ,  $\varnothing 25 \text{ mm} = 7 \text{ m}^3/\text{h}$



## Ideal for pool renovation.

It is longer for bonding to the pipe and is specifically designed for replacing glued nozzles that do not require large holes (saving time and reducing potential damage to the pipe) or additional cutting or gluing. Its design allows for bonding to a pipe that is not flush with the pool wall.



Inside the pipe assembly

THE VIDEO  
WATCH



Longer body



UNE-EN 16582-1  
UNE-EN-16713-2

It complies with the standards.

## Multiflowfeed



76493



76493CL090



76493CL129



76493CL144

The  $\varnothing 50 \text{ mm}$  pipe PN10 is glued to the wall. It is made of ABS. It is specially designed to save time and reduce the risk of replacing an existing wall nozzle; simply drill a small hole at the very beginning of the pipe, clean it, and glue the nozzle from the inside. It is made of UV-resistant ABS.

Concrete Pools	Code	Standard PACKAGING	Standard a 1r11k kg	Standard volume (m3)	Unit price1 EURO
White	76493	16	3.62	0.020	15.00
Beige	76493CL090	16	3.62	0.020	17.00
Gray	76493CL129	16	3.62	0.020	17.00
Anthracite	76493CL144	16	3.62	0.020	17.00

## Multiflowfive mouth threaded connection

D1\_2" joint and  $\varnothing 50 \text{ mm}$  inner wall to be bonded. Made of ABS. Concrete joints: codes 15658 and 15659.

recommended with



00295



00295CL090



00295CL129



00295CL144

Concrete Pools	Code	Standard PACKAGING	Standard a 1r11k kg	Standard volume (m3)	Unit price1 EURO
White	00295	24	4.35	0.020	14.00
Beige	00295CL09024		4.35	0.020	15.00
Gray	00295CL12924		4.35	0.020	15.00
Anthracite	00295CL14424		4.35	0.020	15.00





00330



00330CL090



00330CL129



00330CL144



UNE-EN 16582-1  
UNE-EN-16713-2  
It complies with the standards.

## Multi overflow

### LINER POOLS 1 FOR 1



Ø 50 mm pipe PN10 d1\_ will be glued to the wall. Made of ABS. It is specially designed to save time and reduce the risk of replacing an existing wall nozzle; simply drill a small hole at the very beginning of the pipe, clean it, and glue the nozzle from the inside. Made of UV-resistant ABS.

	Code	Standard Package	standard weight kg	Standard volume (m3)	Unit price1 EURO
White	76494	-	-	0.020	35.00
Beige	76494CL090	-	-	0.020	42.00
Gray	76494CL129	-	-	0.020	42.00
Anthracite	76494CL144	-	-	0.020	42.00



00298



00298CL090



00298CL129



00298CL144

### CONCRETE POOLS FOR

Ø 63 mm PN 6 d1\_ must be attached to the wall and Ø 50 mm inner wall. Made of ABS. Recommended for mounting with wall mounting pipe: code numbers 15661 and 15660.

	Code	Standard PACKAGING	Standard weight kg	Standard volume (m3)	Unit price1 EURO
White	00298	24	4.24	0.020	12.50
Beige	00298CL090	24	4.24	0.020	14.50
Light Gray	00298CL129	24	4.24	0.020	14.50
Anthracite Grey	00298CL144	24	4.24	0.020	14.50

## Multi overflow

For bonding to Ø 50 mm PN 10 pipe. Made of white ABS.



UNE-EN 16582-1  
UNE-EN-16713-2  
It complies with the standards.

Reinforced Concrete Pool	Code	Standard PACKAGING	Standard weight kg	Standard Volume m3	Unit Price EURO
White	24413	40	4.0	0.020	6.50

## Multi overflow five mouth

### FOR LINERS AND PREFABRICATED POOLS

2" d1\_ threaded, Ø 50mm internal threaded connection. For liner pools, made of UV-resistant ABS. Supplied with gasket and screws.



00330



00330CL090



00330CL129



00330CL144

	Code	Standard PACKAGING	Standard Weight kg	Standard Volume m3	Unit Price EURO
White	00330	12	4.5	0.020	34.00
Beige	00330CL090	12	4.5	0.020	37.00
Gray	00330CL129	12	4.5	0.020	37.00
Anthracite	00330CL144	12	4.5	0.020	35.00

## Pool base nozzle (gluing)

FOR REINFORCED CONCRETE SWIMMING POOLS



All-in-one return inlet and suction nozzle. Adjustable flow rate. Made of ABS plastic and stainless steel screws. Maximum recommended flow rate according to EN 13451-1 standard: 12 m<sup>3</sup>/h. Complies with EN-16582-1 / EN-16713-2.

	Code	Standard PACKAGING	Standard Weight kg	Standard volume m <sub>3</sub>	Unit price <sup>1</sup> EURO
<b>D1_ 2" di, inner Ø 50 mm</b>					
White	00303	24	5.0	0.020	16.00
Beige	00303CL090	24	5.0	0.020	17.00
Gray	00303CL129	24	5.0	0.020	17.00
Anthracite Grey	00303CL144	24	5.0	0.020	17.00

### For mounting on Ø 63 mm PN 6, inner Ø 50 mm

White	20140	20	4.4	0.021	16.00
-------	-------	----	-----	-------	-------



Complies with Standards  
EN 16582-1  
EN 16713-2

## Pool base nozzle (threaded)

FOR REINFORCED CONCRETE SWIMMING POOLS



2" external thread and internal Ø 50 mm. Return nozzle. Comes with gasket, flange and screws. Adjustable flow rate. Maximum flow rate: 12 m<sup>3</sup>/h. Complies with EN-16582-1 / EN 16713-2.

	Code	Standard PACKAGING	Standard a	Standard volume m <sub>3</sub>	Unit price <sup>1</sup> EURO
White	00340	12	5.4	0.020	36.00
Beige	00340CL090	12	5.4	0.020	40.00
Gray	00340CL129	12	5.4	0.020	40.00
Anthracite Grey	00340CL144	12	5.4	0.020	40.00

## Pool base nozzle(articulated)

FOR REINFORCED CONCRETE SWIMMING POOLS

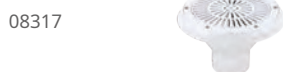


Hinged body made of PVC. UV-resistant ABS cover. POM adjustment screw. Maximum flow rate m<sup>3</sup>/h. Compatible with Ø 75mm pipe and wall penetration element code 21248.

	Code	Standard PACKAGING	Standard a	Standard volume m <sub>3</sub>	Unit price <sup>1</sup> EURO
White	22353	24	4.1	0.022	35.00
Beige	22353CL090	24	4.1	0.022	36.00
Gray	22353CL129	24	4.1	0.022	36.00
Anthracite Grey	22353CL144	24	4.1	0.022	36.00

## Pool base nozzle 1 (flow-controlled)

FOR REINFORCED CONCRETE SWIMMING POOLS



3" connection. Made of white ABS plastic. Suction. Comes with gasket, flange and screws for liner and prefabricated pools. Flow rate can be adjusted by rotating the grid. Suction surface area: 0.015 m<sup>2</sup>. External wall Ø 295 mm. Flow rate (0.4 m/s) 20 m<sup>3</sup>/h. Recommended maximum flow rate according to EN 13451-1 standard: 26 m<sup>3</sup>/h (0.5 m/s).

	Code	Standard PACKAGING	Standard	Standard volume m <sub>3</sub>	Unit price <sup>1</sup> EURO
1 grille made of AISI-304 stainless steel, 1 grille made of White ABS.	08317	2	2.65	0.047	150.00
	11796	2	2.65	0.047	48.00



Compliant with standards  
EN 16582-1  
EN 16713-2

# High-flow feed (vacuum) nozzle

FOR REINFORCED CONCRETE SWIMMING POOLS



Feeding nozzle that can also be used as emi\_a 1z for high flow rate requirements. Maximum flow rate of 30 m3/h for a maximum flow velocity of 4 m/s. Maximum discharge rate of 5 m3/h for a maximum flow velocity of 0.5 m/s. Adhesive connection to Ø 75 or Ø 90mm pipe with PVC body. Can be used with concrete transition piece code 43590. The grate is adjustable in all directions.



Complies with Standards  
EN 16582-1  
EN 16713-2

	Code	Standard PACKAGING	Standard	Standard volume m <sup>3</sup>	Unit price <sup>1</sup> EURO
--	------	--------------------	----------	--------------------------------	------------------------------

White	41520	16	4.20	0.021	35.00
-------	-------	----	------	-------	-------

## Vacuum Nozzle (Application)

FOR REINFORCED CONCRETE SWIMMING POOLS



It should be fitted to Ø 63 mm and Ø 50 mm pipes. Maximum pressure: 6 bar. Made of ABS. 1 1/2" threaded plug. Recommended for installation with wall channels: code numbers 15661 and 15660.

	Code	Standard PACKAGING	Standard	Standard volume m <sup>3</sup>	Unit price <sup>1</sup> EURO
--	------	--------------------	----------	--------------------------------	------------------------------

White	00300	24	3.62	0.020	8.50
Beige	00300CL090	24	3.62	0.020	9.50
Gray	00300CL129	24	3.62	0.020	9.50
Anthracite gray	00300CL144	24	3.62	0.020	9.50



00300

00300CL090

00300CL129

00300CL144



UNE-EN 16582-1  
UNE-EN-16713-2  
It conforms to standards 1.

## Vacuum Nozzle (Threaded)

FOR REINFORCED CONCRETE SWIMMING POOLS



D1\_2" threaded, Ø 50 mm inner wall. Maximum pressure: 6 bar. Made of white ABS with 1 1/2" threaded plug. Recommended for installation with wall channels (codes 15658 and 15659).

	Code	Standard PACKAGING	Standard	Standard volume m <sup>3</sup>	Unit price <sup>1</sup> EURO
--	------	--------------------	----------	--------------------------------	------------------------------

White	00301	24	3.8	0.020	9.50
-------	-------	----	-----	-------	------



UNE-EN 16582-1  
UNE-EN-16713-2  
It conforms to standards 1.

## Vacuum Nozzle-(Threaded)

FOR LINER POOLS



D1\_2" threaded, inner Ø 50 mm. Made of white ABS. Comes with plug, gasket and screws. Recommended for installation with 15663 wall channel.

	Code	Standard PACKAGING	Standard	Standard volume m <sup>3</sup>	Unit price <sup>1</sup> EURO
--	------	--------------------	----------	--------------------------------	------------------------------

White	00332	12	4.22	0.020	32.00
Beige	00332CL090	12	5.4	0.020	35.00
Gray	00332CL129	12	5.4	0.020	35.00
Anthracite	00332CL144	12	5.4	0.020	35.00



00332

00332CL090

00332CL129

00332CL144



Compliant with standards  
EN 16582-1  
EN 16713-2



Compliant with standards  
EN 16582-1  
EN 16713-2

## Vacuum Nozzle Installation(PN10)



FOR REINFORCED CONCRETE SWIMMING POOLS

To be fitted onto Ø 50 PN 10 pipe. Made of white ABS with an 1 1/2" threaded plug. For 07958 end connector and 01393 push-in connector. Recommended for installation with wall channels (codes 15658 and 15659).

	Code	Standard PACKAGING	Standard	Standard volume m <sup>3</sup>	Unit price <sup>1</sup> EURO
White	24415	50	3.72	0.02	6.50

## Savak Nozzle



FOR REINFORCED CONCRETE SWIMMING POOLS

It must be attached to a Ø 63 mm pipe. The body and grille are made of ABS plastic, and the screws are stainless steel. Wall mounting. Its features make this nozzle particularly suitable for overflow channels. Maximum flow rate: 4.5 m<sup>3</sup>/h.

	Code	Standard PACKAGING	Standard weight	Standard volume m <sup>3</sup>	Unit price <sup>1</sup> EURO
White	00302	12	3.1	0.016	12.00

**STAINLESS STEEL A TRACES**

**Flow rate adjustment base feed**



EN 16582-1  
EN 16713-2  
conforming to standards

Manufactured from AISI-316 stainless steel. Top-mounted type for Ø 63 mm or Ø 50 mm pipes. Side water outlet.

	Code	Standard PACKAGING	Standard	Standard Volume m <sup>3</sup>	Unit Price EURO
For Ø 63 / Ø 50 mm pipes	19678	1	-	-	190.00
For Ø 75 / Ø 90 / Ø 110 mm pipes	19679	1	-	-	240.00

## FLOW MOUTH



Manufactured from AISI-316L stainless steel. Features Ø 20 mm or Ø 25 mm spherical ends and 1 1/2" external threaded connections. If installed a maximum of 500 mm below the pool water level, the maximum recommended flow rate according to EN 16582-1 and EN 16713-2 standards is 4.5 m<sup>3</sup>/h.



	Code	Standard PACKAGING	Standard	Standard Volume m <sup>3</sup>	Unit Price EURO
<b>Ø 20 mm sphere</b>					
Length 35 mm	32994	1	0.3	0.001	160.00
Length 50 mm	16325	1	0.3	0.001	165.00
Length 70 mm	16326	1	0.3	0.001	180.00
<b>Ø 25 mm sphere</b>					
Length 35 mm	69874	1	0.3	0.001	160.00
Length 50 mm	69875	1	0.3	0.001	165.00
Length 70 mm	69876	1	0.3	0.001	180.00



EN 16582-1  
EN 16713-2  
Compliant with standards<sup>1</sup>

## Flow Mouth (adjustable)



Made of chrome-plated brass. The grill is made of AISI-304L stainless steel. Complies with standards: EN 13451-1-3, EN 16582-1, EN 16713-2, EN 13451-1-3

For Reinforced Concrete Pools	Code	Standard PACKAGING	Standard a 1r1k (kg)	Standard volume (m <sup>3</sup> )	Unit Price EURO
21 m/h 2" inner thread 40 m/	00312	22	12.85	0.044	68.00
h 3" internal tongue	00313	13	20	0.044	118.00



STAINLESS STEEL TRACKS

STYLE MOUTH

STYLE feed mouth



REINFORCED CONCRETE SWIMMING POOLS 1C1N

A series of feeder outlets made of AISI-316L quality stainless steel, suitable for concrete and prefabricated\* pools.  
 \* STYLE feed inlets, together with the optional liner kit, are compatible with 1½" BSP threaded concrete transition pieces. They are compatible with replaceable existing feed inlets. Recommended maximum flow rate: 4 m/s.

- Ø20 mm: 4.5 m³/h \*When installed a maximum of 500 mm below the water level according to EN standards.
- Ø25 mm: 7 m³/h
- 4 x Ø7.8 mm: 2.9 m³/h



EN 16582-1  
 EN 16713-2  
 Compliant with standards<sup>1</sup>

	Code	Standard PACKAGING	Standard Std Weight	Standard Volume m <sup>3</sup>	Unit Price EURO
Round - Sphere 20mm - L35 mm Round - Sphere 20mm - L50 mm Round - Sphere 25mm - L35 mm Round - Sphere 25mm - L50 mm Round - Sphere 4x7.8mm - L35 mm Round - Sphere 4x7.8mm - L50 mm	75164	1	0.325	0.001	102.00
Square - Sphere 20mm - L35 mm	75168	1	0.305	0.001	116.00
Square - Sphere 20mm - L50 mm	75170	1	0.325	0.001	96.00
Square - Sphere 25mm - L35 mm	75171	1	0.415	0.001	108.00
Square - Sphere 25mm - L50 mm	75172	1	0.295	0.001	101.00
Liner adapter	75173	1	0.385	0.001	115.00
Liner adapter for existing mouth replacement.	75178	1	0.115	0.001	46.00
	75179	1	0.120	0.001	46.00

STYLE vacuum mouth



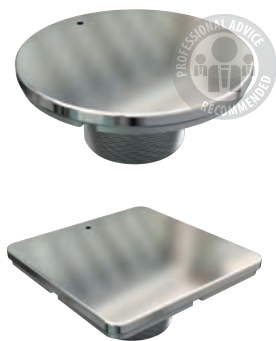
REINFORCED CONCRETE SWIMMING POOLS 1C1N

Made of AISI-316L stainless steel, this vacuum nozzle product series is suitable for concrete and prefabricated pools and includes a liner kit and vacuum cap.

STYLE vacuum nozzles are compatible with 1½" BSP threaded concrete transition pieces.

It is compatible with existing interchangeable vacuum nozzles.

A snap-in connector 05684 is required.



EN 16582-1  
 EN 16713-2  
 Compliant with standards<sup>1</sup>

	Code	Standard PACKAGING	Standard Std Weight	Standard Volume m <sup>3</sup>	Unit Price EURO
Round - L35 mm	75176	1	0.34	0.001	98.00
Square - L35 mm	75177	1	0.35	0.001	98.00

