

FILTRATION



162	FILTER SPECIFICATIONS AND SELECTION	180	PRE-FILTERS
163	INJECTION MOLDED SAND FILTERS	180	Hydrospin
163	Cantabric	181	CARTRIDGE FILTERS
164	LAMINATED SAND FILTERS	181	VIRON
164	EUROpe Pro	182	NANOFIBER
165	Aster	184	CLARISAVE
167	Vesubio		
170	COIL WINDING SAND FILTERS		
170	Prague		
171	Oslo		
172	Olot		
173	Rodas		
174	Berlin		
175	Ivory		
176	ATRASITE, ZEOLITE, SAND		
177	MULTI-PORT VALVES		
177	AUTOMATIC MULTI-WAY VALVES		
179	COLLECTORS		
180	1C MACHINE ROOMS		
180	Ramses		



185	LAMINATED SAND FILTERS	190	Crystal Clear
186	MS		
188	Cartridge Filters		

FILTER SELECTION GUIDE

HOW DO YOU CHOOSE THE FILTER YOU NEED?

A crucial factor in cleaning pool water is its passage through the filter. This process takes place in a completely closed system. Therefore, the type and quality of the filter are decisive. These factors become clearly apparent as the water circulates through the system.

A filter should be selected according to the following criteria:

1. Filter material type. This is a fundamental criterion for determining the water clarity level, usage characteristics, and maintenance.

2. Body manufacturing technology. This directly affects strength, durability, and quality.

3. Flow rate (m³/h). The pump is adjusted according to the volume and circulation time of each pool. When choosing a pump, make sure it matches the recommended speed.

4. Features and additional features..

After making your selection, remember to always check the available space in your facility before running the filter.



Aster Filter

THERE ARE 3 MAIN FILTER TYPES.

DIATOMIC FILTERS

A filtration method that provides maximum filtration fineness. However, this system requires more time for maintenance.

- Excellent filtration quality
- Compact solution
- The best in its field for assembly and maintenance.

CARTRIDGE FILTERS

One or more cartridges are used to provide a high level of filtration fineness. It is also an ideal solution when there are space constraints, water consumption limitations, and water availability restrictions for filter backwashing.

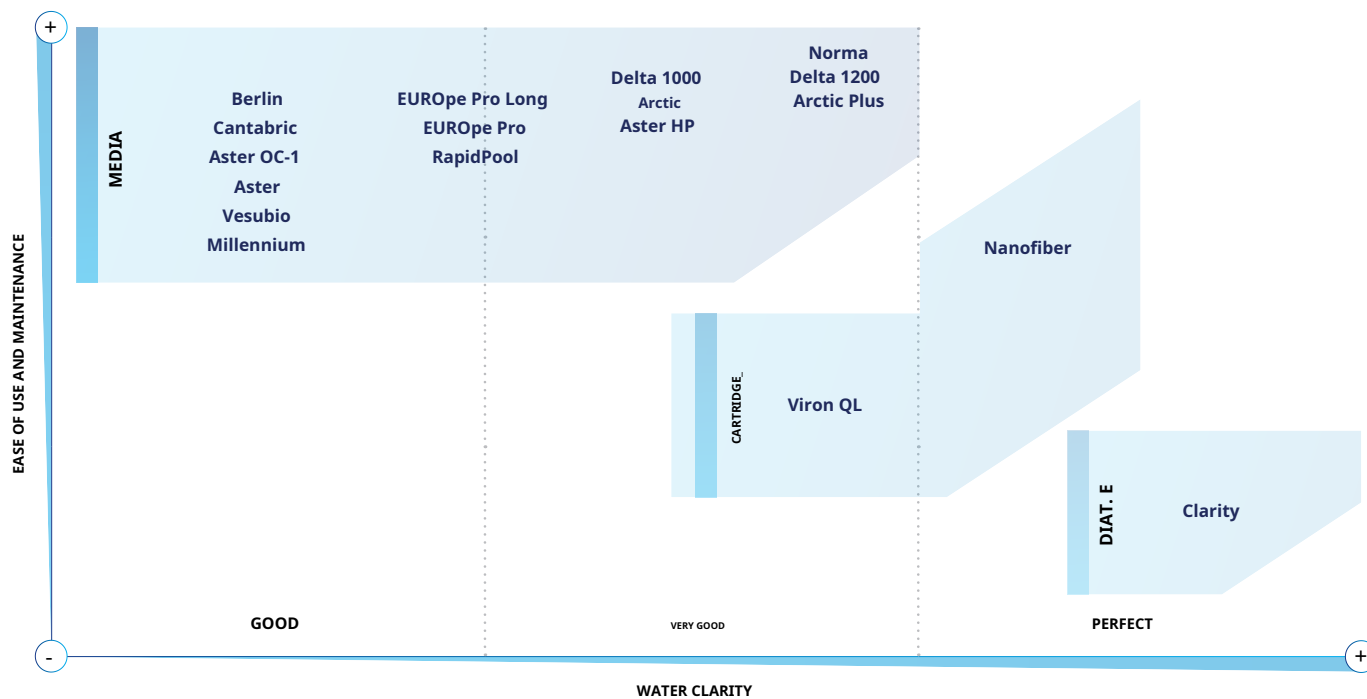
- Very good filtration quality
- Low water consumption
- Compact solution

MEDIAN FILTERS

Generally **sand filters** It is called [name of medium]. Other media such as glass and anthracite, which optimize performance, can also be used.

To achieve maximum filtration quality and performance, use filters with the highest possible filter bed, multiple filter layers, and a low filtration rate.

- Robust technology with high capacity for improving neglected water quality.
- Easy to use and maintain
- Full value for your money



Cantabric model filtre



EXPLANATION

- Injection molded filter made of special plastic.
- Thermally welded housing with a 10-year warranty.
- Equipped with a pressure gauge and manual water and air purging valves.
- Under-line valve included.
- Maximum filtration rate (50 m³/hour/m²).
- Maximum working pressure: 2.5 kg/cm².
- Sand and glass are compatible (see page 228).
- Complies with the filtration requirements according to the EN 16713-1 standard.



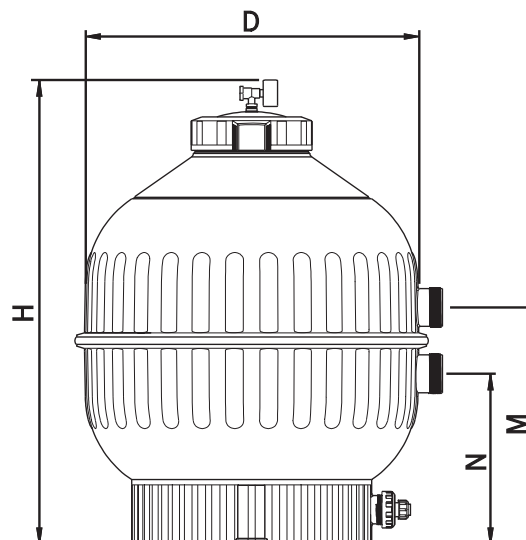
	Code	Standard PACKAGING	Standard Weight (kg)	Standard Volume m ³	Unit Price EURO
With multi-way valve					
6,000 l/h Ø 400 mm 1½" connection	22398	1	9.0	0.15	710.00
9,000 l/h Ø 500 mm 1½" connection	15782	1	15.8	0.29	825.00
14,000 l/h Ø 600 mm 1½" connection	15783	1	17.8	0.40	960.00
21,000 l/h Ø 750 mm 2" connection Except	15784	1	29.0	0.67	1,520.00
for the multiway valve					
30,000 l/h Ø 900 mm 2½" connection	22402	1	49.0	1.3	2,150.00

TECHNICAL SPECIFICATIONS

	22398	15782	15783	15784	22402
Ø D (mm)	400	500	600	750	900
H (mm)	715	800	875	1045	1215
M (mm)	380	415	445	575	675
N (mm)	255	290	320	345	405
Connection	1½"	1½"	1½"	2"	2½"
Flow rate (m ³ /h)	6	9	14	21	30
Approximate pool volume (m ³) (8 hours)*	48	72	112	168	240
Amount of sand (kg)	60	100	150	300	550
Class 1 glass media (57011) (kg)	50	88	100	200	375
Class 3 glass media (57013) (kg)	0	0	25	50	100
Net weight (kg)	7	12	14	24	34
Package volume (m ³)	0.15	0.29	0.4	0.67	1.3

The Ø 750 mm and Ø 900 mm models have a Ø 2" sand discharge opening, while the Ø 400, Ø 500 and Ø 600 mm models have an 1 1/2" opening. *

Minimum 8 hours of filtration system operation time.



LAMINATED SAND FILTERS

EUROpe Pro - Pro Long filter

EXPLANATION

Filters made from fiberglass and isophthalic resin comply with the filtration requirements according to the EN 16713-1 standard. They are compatible with sand and glass media.

- Filter color (Ral5015 - Sky blue)
- ¼" bleeder.
- 2 ½" sand dump
- Screw-on polyester or methacrylate cap.
- Top cover diameter: 285 mm.
- Maximum operating pressure: 2.5 bar.



64990



64986



64998



64994

Methacrylate cap

	Code	Standards Package	Standard a 1r1k kg	Standard volume, unit price 1 (m3)	EURO
Pro Model					
9500 l/h Ø 500 mm 11/2=	64990	1	15	0.33	1,400.00
15000 l/h Ø 600 mm 2= 22000	64991	1	20	0.45	1,550.00
l/h Ø 750 mm 2= 30000 l/h Ø	64992	1	25	0.83	2,000.00
900 mm 21/2=	64993	1	46	1.43	2,700.00
Pro Long Mode					
9500 l/h Ø 500 mm 11/2=	64998	1	23	0.33	1,750.00
15000 l/h Ø 600 mm 2=	64999	1	26	0.45	2,000.00
22000 l/h Ø 750 mm 2=	65000	1	34	0.83	2,500.00
30000 l/h Ø 900 mm 21/2=	65002	1	65	1.43	3,290.00

Multi-way valves are not included in the price.

TECHNICAL SPECIFICATIONS

Cover	Pro Model				Pro Long Model			
	64990	64991	64992	64993	64998	64999	65000	65002
methacrylate								
D (mm)	500	600	750	900	500	600	750	900
a lant1	11/2=	2=	2=	21/2=	11/2=	2=	2=	21/2=
arrow-way valve code	00599	28476	28512	24837	00599	28476	28512	24837
Filtration surface area1 (m²):	0.19	0.3	0.44	0.64	0.19	0.3	0.44	0.64
ltrasyon h1z1 (m³/h/m²)	50				50			
ebi (m³/h) 50 m³/h/m² at speed	9.5	15	22	30	9.5	15	22	30
maximum operating pressure (kg/cm²)	2.5				2.5			
quantity1 (kg)	120	190	360	580	155	240	430	615
Glass media quantity1 (57011) (kg)	100	150	250	375	100	150	275	400
Glass media quantity 1 (57013) (kg)	0	0	50	100	25	50	75	100
Net weight (kg)	15	20	25	46	20	25	33	51
Filter bed height (mm)	390	445	530	645	520	565	620	680

LAMINATED SAND FILTERS

Aster filter

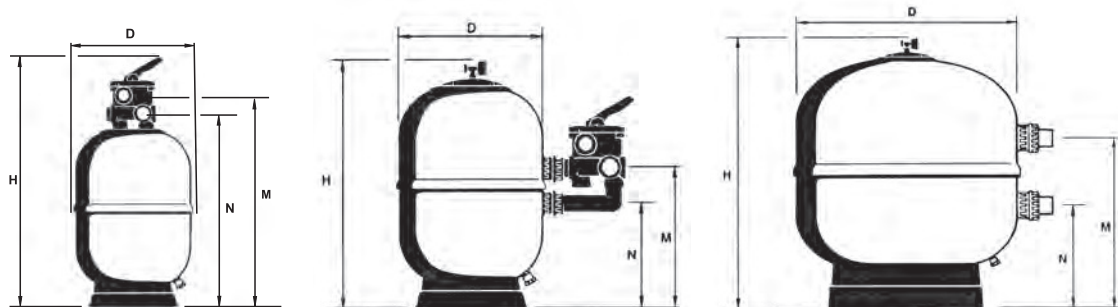

EXPLANATION

Polypropylene base, body made of isophthalic resin and berglaster. Gray color, lockable cap, multi-way valve on the side. Maximum working pressure: 2.5 kg/cm², with pressure gauge and multi-way valve on the side. Filtration rate 50 m³/h/m². Complies with filtration requirements according to EN 16713-1 standard. Compatible with sand and glass media.

	Code	Standard PACKAGING	Standard weight kg	Standard Volume m ³	Unit Price EURO
With a side multi-way valve. 5000 l/h					
Ø 350 mm 1½" connection, 8000 l/h Ø	00497	1	18	0.13	640.00
450 mm 1½" connection, 14000 l/h Ø	00498	1	21	0.23	690.00
600 mm 1½" connection, 21000 l/h Ø	00499	1	28	0.39	805.00
750 mm 2" connection, 32000 l/h Ø	00500	1	37	0.62	1,110.00
900 mm 2" connection	08133	1	55	1.27	1,570.00
Bare, excluding multiway valve. 31000					
l/h Ø 900 mm 2½" connection	00501	1	53	1.27	2,280.00



EN 16713-01
Compliant with Standard


TECHNICAL SPECIFICATIONS

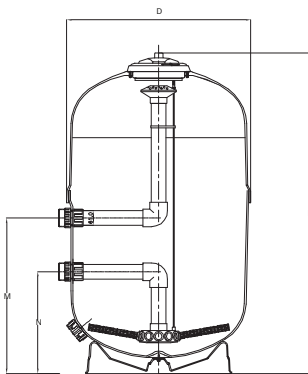
	Multi-way valve					Without valve
	00497	00498	00499	00500	08133	00501
Ø D (mm)	350	450	600	750	900	900
H (mm)	780	795	850	945	1050	1050
M (mm)	420	430	455	555	635	660
N (mm)	295	305	330	325	365	390
Ba lant1	1½"	1½"	1½"	2"	2"	2½"
Flow rate (m ³)/h) 50 m ³ /h/m ² at speed	5	8	14	21	30	30
Pool volume (m ³) (8 h)	40	64	112	168	240	240
Sand quantity 1 (kg)	50	70	125	290	500	500
Class 1 glass media quantity (57011) (kg)	50	50	100	175	325	325
Class 1 3 glass media quantity (57013) (kg)	0	0	0	50	75	75
Maximum working pressure (kg/cm ²)	2.5	2.5	2.5	2.5	2.5	2.5
Net weight (kg)	18	21	28	37	55	53
Package volume (m ³)	0.13	0.23	0.39	0.62	1.26	1.27

LAMINATED SAND FILTERS

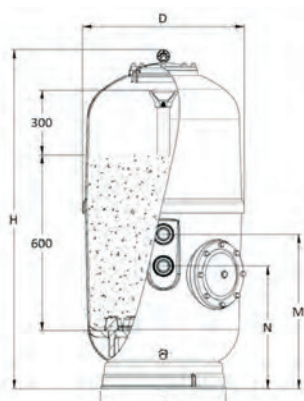
Aster filter-high quality filtration



Filtration bed height
0.8 m



Filtration bed height
0.6 m



EXPLANATION

Laminated filter made of fiberglass and isophthalic resin. Filter bed depth is 800 mm. Grey color, polypropylene base, quick-opening lid, water drain plug, manometer. Maximum operating pressure 2.5 bar. 50 m³/h:m: Highest filtration rate. The filter can be used with single-layer or multi-layer gravel and a combination of sand, glass, or anthracite. There is a 2 1/2" sand discharge outlet at the bottom of the filter. It can be ordered with an optional 200 mm sand discharge outlet. Optional vinylester inner lining for ozone treatment. Maximum temperature 50°.

Collector System	Code	Standard PACKAGING	Standard weight kg	Standard Volume m ³	Unit Price EURO
Except for the multiway valve					
Ø 600 mm 1½" connection, Ø	24769-0100	1	40	0.64	1,650.00
750 mm 2" connection, Ø 900	24770-0100	1	60	1.0	1,850.00
mm 2" connection, Ø 900	10003-0100	1	90	1.6	2,060.00
mm 2½" connection	10004	1	90	1.6	2,440.00

TECHNICAL SPECIFICATIONS

	24769-0100	24770-0100	10003-0100	10004
Ø D (mm)	600	750	900	
H (mm)	1370	1435	1400	1435
M (mm)	605	665	825	865
N (mm)	480	435	595	595
Ba lant1	1½"	2"	2"	2½"
Flow rate (m ³)/h, 50 m ³ /h/mat speed	16.5	21	31	
Pool volume (m ³) ₂	120	175	250	
Sand (kg)	300	450	580	
Gravel (kg)	35	65	135	
Glass media (57011) (kg)	200	300	400	
Glass media (57013) (kg)	25	50	75	
Maximum working pressure (kg/cm ²) ₂	2.5			

Aster filter-high quality filtration

EXPLANATION

Laminated filter made of isophthalic polyester and berglass. Optional Ø 200mm sand drain manhole at the bottom. Black screw cap 1/4" water drain. Maximum pressure 2.5 bar. Maximum temperature 50°.

NOZZLE PLATE SYSTEM	Code	Standard PACKAGING	Standard weight kg	Standard Volume m ³	Unit Price EURO
Except for the multiway valve					
Ø 600 mm 2" connection Ø	24769FT01-110 000	1	40	0.63	3,180.00
750 mm 2" connection Ø 900	24770FT01-110 000	1	60	0.99	3,700.00
mm 2" connection Ø 900 mm	10003FT01-110 000	1	90	1.29	4,500.00
2½" connection	10004FT01-110 000	1	90	1.29	4,650.00

TECHNICAL SPECIFICATIONS

	24769FT01 110,000	24770FT01 110,000	10003FT01 110,000	10004FT01 110,000
Ø D (mm)	600	750	900	
H (mm)	1370	1435	1400	1435
M (mm)	605	665	825	865
N (mm)	480	435	595	
P (mm)	490	625	705	
Ba lant1	1½"	2"	2"	2½"
Flow rate (m ³)/h, 50 m ³ /h/mat speed	16.5	21	31	
Pool volume (m ³) ₂	120	175	250	
Sand (kg)	300	450	580	
Gravel (kg)	35	65	135	
Glass media (57011) (kg)	200	300	400	
Glass media (57013) (kg)	25	50	75	
Maximum working pressure (kg/cm ²) ₂	2.5			

Vesubio (Volcano) filtre


EXPLANATION

The Vesubio (Volcano) series filters are manufactured using the simultaneous projection of isophthalic resin and berglass. They feature a Ø 210mm threaded cap with high-resistance screws. The Ø 1050mm and Ø 1200mm models are available with a Ø 400mm top cap. Maximum pressure is 2.5 bar. Compatible with sand and glass media.

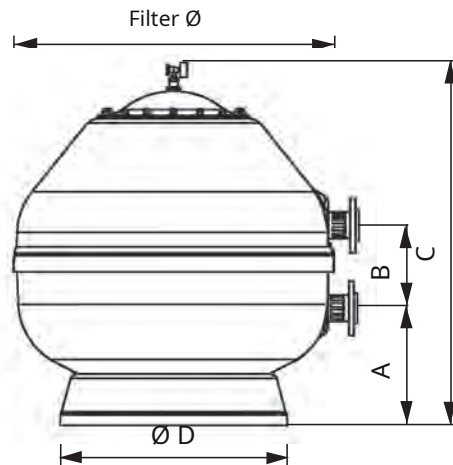


EN 16713-01
Compliant with Standard!

	Code	Standard PACKAGING	Standard weight kg	Standard Volume m ³	Unit Price EURO
Side multi-way valve					
8000 l/h Ø 450 mm with 50 mm connection,	15785	1	16	0.200	760.00
14000 l/h Ø 600 mm with 50 mm connection,	15786	1	23	0.357	900.00
22000 l/h Ø 750 mm with 63 mm connection,	15787	1	32	0.595	1,110.00
32000 l/h Ø 900 mm with 63 mm connection	16574	1	48	1.003	1,325.00
Bare, excluding multiway valve.					
43,000 l/h Ø 1050* mm with 75 mm connection;	15789	1	97	2,052	2,150.00
56,000 l/h Ø 1200* mm with 90 mm connection	15790	1	130	2,450	2,650.00

* Small top cover with a diameter of Ø 210 mm

** 400 mm top cover


TECHNICAL SPECIFICATIONS

	From the side exit1_11					
	15785	15786	15787	16574	15789	15790
Ø Filter (mm)	450	600	750	900	1050	1200
A (mm)	265	325	300	325	435	490
B (mm)	125	125	230	270	270	270
C (mm)	725	865	895	1080	1110	1235
D (mm)	347	400	490	625	760	855
Filtration surface area1 (m ²) ₂	0.16	0.30	0.44	0.64	0.86	1.13
Ba lant1	1½"	1½"	2"	2"	2½"	90
Flow rate (m ³)/h), 50 m ³ /h/m:at speed	8	14	22	32	43	56
Pool volume (m ³)(8 hours)	64	112	176	256	344	448
Sand quantity 1 (kg)	60	148	245	415	660	1000
Glass media quantity1 (57011) (kg)	50	125	150	275	500	775
Glass media quantity 1 (57013) (kg)	0	0	50	50	125	200

Vesubio (Volcano) filtre



EN 16713-01
Compliant with standards.

Filtration Bed
Height 1 m

Valve manifold system
optionally
also sold separately

Maximum operating capacity
pressure: 2.5 kg/cm²

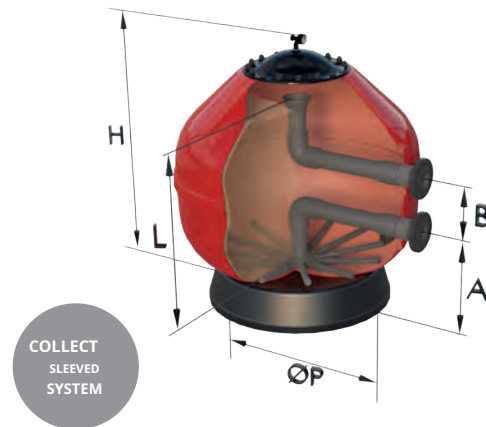
EXPLANATION

- The filters are made of isophthalic polyester and berglaskan.
- Includes pressure gauge, air vent, and water drain valve.
- Ø 400 mm liter cap.
- Suitable for filtration rates of 20, 30, 40 and 50 m³/h/m².
- Valve manifolds can be mounted on all filters. (optional)
- 2 1/2" sand drain plug.
- Collector arm system.

Diameter HE	Filtering area ¹	Filtering speed ¹	Suggested flow	Ba lant ¹ HE	FILTRATION BED HEIGHT 1 1 1 M.	
					Filter code ⁽¹⁾	Unit Price EURO
mm	m ²	m ³ /h/m ²	m ³ /h/m ²	mm	2.5 bar	
1050	0.87	20	17	63	41304	3,240.00
		30/40	25/34	75	41305	3,340.00
		50	43	90	41306	3,440.00
1200	1.13	20/30	22/33	75	41307	3,660.00
		40/50	45/56	90	41308	3,740.00
1400	1.54	20	30	75	41309	5,150.00
		30	46	90	41310	5,150.00
		40/50	61/77	110	41311	5,250.00
1600	2.01	20	40	90	41312	5,000.00
		30/40	60/80	110	41313	5,025.00
		50	100	125	41314	5,830.00
1800	2.54	20	50	90	41315	8,060.00
		30	76	110	41316	8,480.00
		40	101	125	41317	8,690.00
		50	125	140	41318	8,880.00
2000	3.14	20	62	110	41319	9,430.00
		30	94	125	41320	9,630.00
		40	125	140	41321	9,800.00
		50	157	160	41322	10,400.00

⁽¹⁾The filter code does not include the filter media or valve manifold.

Vesubio (Volcano) filtre



STANDARD EQUIPMENT

Collector arm system

Diffuser distribution 0.3 mm	Ø 1050 - 2000
Filter cover Ø 400	Ø 1050 - 2000
Sand removal 2 ½"	Ø 1050 - 2000
Water drain ¼"	Ø 450 - 2000
Manual air bleed ¼"	Ø 450 - 2000

OPTIONAL FEATURES	Ø (mm)	Pressure (bar)
Side manhole Ø225 ⁽²⁾	1050-2000	2.5
Sight window Ø75 ⁽⁵⁾	1050-2000	2.5
Vinylester coating for ozone application ⁽⁴⁾	450-2000	2.5
Seawater use ⁽⁵⁾	450-2000	2.5
Drinking water usage ⁽⁶⁾	450-2000	2.5
Filter cover Ø400	1050-2000	2.5

⁽²⁾Recommendation: The side manhole option is for all nozzle plate or lateral filters with a height (H) greater than 2 m. The main reason for this is to facilitate access to the interior without working at height. Multiple side manholes can be installed. The distance between the inlet/outlet ports and the manhole is always the same, defaulting to 45. It is rotated to the right. It can be changed according to your needs.

⁽⁵⁾Multiple viewing windows can be installed. Vertical positioning is standard, and the center of the viewing window is, by default, 45° from the entrance/exit. The depth bearing is positioned at the level of the bed frame, turned to the left. It can be adjusted according to your requirements.

⁽⁴⁾The maximum ozone concentration in the water is 0.5 ppm and the maximum temperature is 40°.

⁽⁵⁾The maximum permitted salt concentration is 45 g/l (seawater).

⁽⁶⁾The material suitable for drinking water use has a hard, sturdy texture.

HE	A (H)	B (M)	H	L	Ø P	Net Weight	Standard Volume	Working weight
(mm)	(mm)	(mm)	(mm)	(mm)	(mm)	kg	m ₃	kg
1050	465	500	1545	1000	760	110	2.25	1630
1200	675		1730	1250	850	125	3.37	2220
1400	725		1845	1300	1085	152	4.41	3060
1600	710		1850	1400	1230	185	5.66	3930
1800	755	570	1915	1350	1370	257	7.40	5065
2000	775		2030	1420	1560	360	9.48	6360

Model	Filter Media (m ₃)	Ø D (mm)						
		1050	1200	1400	1600	1800	2000	
VESUBIO 1 m Filtration bed height Collector arm	Single layer	Sand 0.4-0.8	1125	1350	1850	2723	3175	3650
		Silex gravel 1-2	175	275	350	450	550	675
	Glass Media	Glass Media Thin	650	775	1075	1575	1850	2125
		Glass Media Center	325	400	550	800	925	1075
		Glass Media Thick	150	250	300	400	475	600

Praga filters



EXPLANATION

- Coil-wound filters are manufactured from isophthalic polyester and fiberglass.
- Includes pressure gauge, air vent, and water drain valve.
- Ø 400 mm filter cover.
- Suitable for filtration rates of 20, 30, 40 and 50 m³/h/m².
- Valve manifolds can be mounted on all filters. (optional)
- 2½" sand drain plug.
- Collector arm system or optional nozzle plate system.



FILTRATION

Filtration Bed Height 1 m

Maximum operating capacity pressure:
2.5 kg/cm² - 4 kg/cm²

Valve manifold system optionally
also sold separately

All with nozzle plate for filters, filter easily by the media so that it can be emptied
A side manhole is recommended.

FILTRATION BED HEIGHT 1 1 1 M.

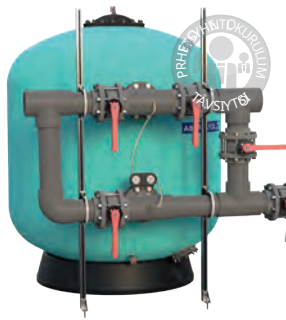
Diameter HE	Filtering area ¹	Filtering speed ¹	Suggested flow	Balant ¹ HE	FILTRATION BED HEIGHT 1 1 1 M.			
					Filter code(1)	Unit Price EURO	Filter code(1)	Unit Price EURO
mm	m ²	m ³ /h/m ²	m ³ /h/m ²	mm	2.5 bar		4 bars	
1050	0.87	20	17	63	00687	5,400.00	09209	6,600.00
		30-40	25/34	75	00694	6,400.00	00712	7,600.00
		50	43	90	00707	7,400.00	00724	7,850.00
1200	1.13	20-30	22/33	75	00688	6,400.00	00713	7,900.00
		40-50	45/56	90	00702	6,600.00	00719	8,200.00
1400	1.54	20	30	75	00689	7,800.00	09210	9,200.00
		30	46	90	00696	8,100.00	00714	9,600.00
		40	61	110	00703	8,600.00	00720	10,000.00
1600	2.01	20	40	90	00690	9,400.00	09211	11,200.00
		30-40	60/80	110	00697	9,700.00	00715	11,800.00
		50	100	125	00710	10,000.00	00727	12,000.00
1800	2.54	20	50	90	00691	10,200.00	09212	12,500.00
		30	76	110	00698	10,700.00	00716	12,700.00
		40	101	125	00705	11,200.00	00722	13,400.00
		50	125	140	00711	11,600.00	00728	13,500.00
		50	125	160	33312	13,250.00	31988	13,800.00
2000	3.14	20	62	110	00692	14,000.00	09213	15,000.00
		30	94	125	00699	14,500.00	00717	16,000.00
		40	125	140	00706	15,000.00	00723	17,000.00
		50	157	160	05083	15,600.00	05132	18,000.00
2200	3.80	30	114	140	56937	20,000.00	57812	30,000.00
		40	152	160	56938	22,000.00	57813	31,500.00

¹The filter code does not include the filter media or valve manifold.

TECHNICAL SPECIFICATIONS

Model	Filter Media (m ³)	Ø D (mm)							
		1050	1200	1400	1600	1800	2000	2200	
PRAGUE 1 m Filtration bed height Collector arm	Single layer	Sand 0.4-0.8	950	1375	1650	2150	2800	3800	4650
		Silex gravel 1-2	300	325	450	675	750	1050	1800
	Glass Media	Glass Media Thin	550	800	975	1250	1625	2225	2725
		Glass Media Center	275	400	475	625	825	1100	1350
		Glass Media Thick	275	300	400	600	650	925	1575
PRAGUE 1 m Filtration bed height Nozzle plate	Single layer	Sand 0.4-0.8	950	1375	1650	2150	2800	3800	4650
		Silex gravel 1-2	150	175	250	300	400	500	600
	Glass Media	Glass Media Thin	650	900	1100	1425	1875	2500	3075
		Glass Media Center	325	450	550	725	925	1250	1525

Oslo filters



EXPLANATION

FILTRATION BED HEIGHT 1.2 M

- Coil-wound filters are manufactured from isophthalic polyester and fiberglass.
- Includes pressure gauge, air vent, and water drain valve.
- Ø 400 mm filter cover.
- Suitable for filtration rates of 20, 30, 40 and 50 m³/h/m².
- Valve manifolds can be mounted on all filters. (optional)
- 2½" sand drain plug.
- Collector arm system or optional nozzle plate system.

FILTRATION BED HEIGHT 1 1 1 M.

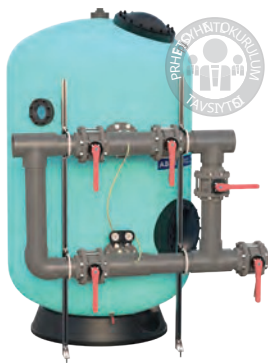
Filtration Bed Its height is 1.2 m.	1mm Diameter Filtration Recommended Connection					Filter code ⁽¹⁾	Unit Price EURO	Filter code ⁽¹⁾	Unit Price EURO	Filter code ⁽¹⁾	Unit Price EURO
	HE	area ¹	speed ¹	flow	HE						
Maximum operating capacity pressure: 2.5 kg/cm ² - 4 kg/cm ² - 6 kg/cm ²	mm	m ²	m ³ /h/m ²	m ³ /h/m ²	mm	2.5 bar	4 bars	6 bars			
Valve manifold system optionally also sold separately	1050	0.86	30	25	75	04611	7,600.00	05168	9,160.00	05168 PR 06	LFS
			40	34	90	04612	8,300.00	05173	10,700.00	05173 PR 06	LFS
	1200	1.13	30	33	75	04613	8,600.00	05169	10,500.00	05169 PR 06	LFS
			40	45	110	04650	9,400.00	05174	11,600.00	05174 PR 06	LFS
	1400	1.54	30	46	90	04615	10,500.00	07436	14,000.00	07436 PR 06	LFS
			40	61	125	04616	11,500.00	07437	15,150.00	07437 PR 06	LFS
	1600	2.01	30	60	110	04619	13,000.00	05170	17,000.00	05170 PR 06	LFS
			40	80	140	04651	13,500.00	05175	17,800.00	05175 PR 06	LFS
	1800	2.54	30	76	125	04623	15,500.00	07438	20,000.00	07438 PR 06	LFS
			40	101	160	04624	16,500.00	07439	21,000.00	07439 PR 06	LFS
	2000	3.14	30	94	125	04626	18,000.00	05171	23,100.00	05171 PR 06	LFS
			40	125	160	04652	19,500.00	05176	25,000.00	05176 PR 06	LFS
2200	3.80	30	114	140	56935	21,000.00	57810	27,300.00	57810 PR 06	LFS	
		40	152	160	56936	22,000.00	57811	28,300.00	57811 PR 06	LFS	

⁽¹⁾Filter code, It does not include the filter media or valve manifold.

TECHNICAL SPECIFICATIONS

Model	Filter Media (m ³)		Ø D (mm)						
			1050	1200	1400	1600	1800	2000	2200
OSLO 1.2 m Filtration bed height Collector arm	Single layer	Sand 0.4-0.8	1300	1775	2300	3000	3800	4650	5625
		Silex gravel 1-2	300	350	500	775	850	1150	1400
	Multilayered	Anthracite 0.8-1.6	450	575	775	1000	1275	1575	1900
		Sand 0.4-0.8	700	800	1025	1375	1750	2125	2550
		Silex gravel 1-2	300	350	500	775	850	1150	1400
	Glass Media	Glass Media Thin	1700	2325	3025	3950	5000	6100	7375
		Glass Media Center	375	525	675	875	1100	1350	1650
Glass Media Thick		275	300	450	675	750	1000	1225	
OSLO 1.2 m Filtration bed height Nozzle plate	Single layer	Sand 0.4-0.8	1300	1775	2300	3000	3800	4650	5625
		Silex gravel 1-2	150	175	250	300	400	500	600
	Multilayered	Anthracite 0.8-1.6	450	575	775	1000	1275	1575	1900
		Sand 0.4-0.8	700	800	1025	1375	1750	2125	2550
		Silex gravel 1-2	150	175	250	300	400	500	600
	Glass Media	Glass Media Thin	850	1150	1475	1925	2450	3000	3625
		Glass Media Center	425	575	750	975	1225	1500	1825

Olot filters



EXPLANATION

Designed in accordance with DIN 19605/19643 standards.

- Coil-wound filters are manufactured from isophthalic polyester and fiberglass.
- Includes pressure gauge, air vent and water drain valve.
- Ø 400 mm filter cover 1 and side manhole.
- Valve manifolds can be mounted on all filters. (optional)
- Nozzle plate system

Filtration Bed Height
1.2 m - 1.5 m

Maximum work
bas1nc1:
2.5 kg/cm² - 4 kg/cm²-

Valve manifold system 2200
optionally
also sold

1mm Diameter Filtration Recommended Connection					Filtration bed height is 1.2 m.				Filtration bed height is 1.5 m.			
HE	area1	speed1	flow	HE	Filter code(1)	Unit Price EURO	Filter code(1)	Unit Price EURO	Filter code(1)	Unit Price EURO	Filter code(1)	Unit Price EURO
mm	m ²	m ³ /h/m ²	m ³ /h/m ²	mm	2.5 bar		4 bars		2.5 bar		4 bars	
1050	0.87	30	25	110	07355-120	14,200	07355-120 PR 04	14,800	18227-120	16,000	18227-120 PR 04	LFS
1200	1.13	30	33	125	07356-120	19,000	07356-120 PR 04	20,000	18228-120	20,800	18228-120 PR 04	LFS
1400	1.54	30	46	140	07447-120	22,500	07447-120 PR 04	23,300	18229-120	24,200	18229-120 PR 04	LFS
1600	2.01	30	60	160	07357-120	26,500	07357-120 PR 04	28,000	18230-120	28,400	18230-120 PR 04	LFS
1800	2.54	30	76	200	07448-120	29,700	07448-120 PR 04	31,500	18231-120	32,000	18231-120 PR 04	LFS
2000	3.14	30	94	225	07358-120	36,000	07358-120 PR 04	38,500	18232-120	39,500	18232-120 PR 04	LFS
2200	3.80	30	114	225	56934-120	44,400	56934-120 PR 04	49,000	65547-120	52,400	65547-120 PR 04	LFS

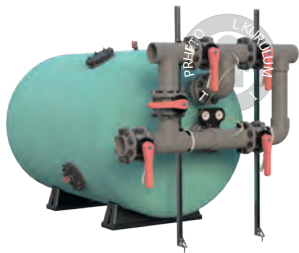
⁽¹⁾Filter code. It does not include the filter media or valve manifold.

TECHNICAL SPECIFICATIONS

Model	Filter Media1 (m ³)	Ø D (mm)							
		1050	1200	1400	1600	1800	2000	2200	
OLOT 1.2 m Filtration bed height Nozzle plates	Single layer	Sand 0.4-0.8	1300	1775	2300	3000	3800	4650	5625
		Silex gravel 1-2	150	175	250	300	400	500	600
	Multilayer	Anthracite 0.8-1.6	450	575	775	1000	1275	1575	1900
		Sand 0.4-0.8	700	800	1025	1375	1750	2125	2550
	Glass Media	Silex gravel 1-2	150	175	250	300	400	500	600
		Cam Media 1nce	850	1150	1475	1925	2450	3000	3625
OLOT 1.5 m Filtration bed height Nozzle plates	Multilayer	Glass Media Center	425	575	750	975	1225	1500	1825
		Anthracite 0.8-1.6	450	575	775	1000	1275	1575	1900
	Sand 0.4-0.8	725	950	1250	1650	2100	2550	3100	
	Silex gravel 1-2	150	175	250	300	400	500	600	
	Silex gravel 2-3	150	175	250	300	400	500	600	
	Silex gravel 3-5	150	175	250	300	400	500	600	

COIL-WOUND FILTERS - FOR PUBLIC SWIMMING POOLS

Rodas Horizontal Coil Winding Filters



EXPLANATION

HORIZONTAL FILTERS

- Coil-wound filters are manufactured from isophthalic polyester and fiberglass.
- Includes pressure gauge, air vent and water drain valve.
- Ø 140 mm top cover.
- Ø 400 mm side manhole.
- Ø 140 mm sand discharge cap 1.
- Valve manifolds can be mounted on all filters. (optional)



Filtration Bed Height
0.6 m

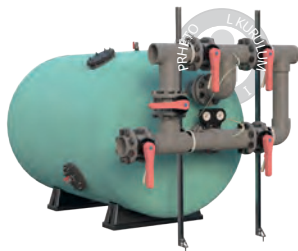
Valve manifold system optionally also sold

1 inch diameter HE	Length	Filtering area ¹	Filtering speed ¹	Suggested flow	Ballant HE	Filter code ⁽¹⁾	Unit Price EURO	Filter code ⁽¹⁾	Unit Price EURO	Filter code ⁽¹⁾	Unit Price EURO
mm	(K)	m ²	m ³ /h/m ²	m ³ /h/m ²	mm	2.5 bar		4 bars		6 bars	
1050	1900	1.72	40	69	110	05108	9,500.00	07126	11,000.00	07126 PR 06	LFS
	2300	2.12	30	64	125	11332	12,000.00	11322	13,800.00	11322 PR 06	LFS
	2500	2.32	20	46	110	24842	12,500.00	25016	14,400.00	25016 PR 06	LFS
			30	70	125	24843	13,000.00	25017	15,000.00	25017 PR 06	LFS
1200	2700	2.51	20	50	110	11334	13,500.00	11326	15,500.00	11326 PR 06	LFS
	1900	1.96	30	59	125	22651	11,400.00	22686	13,200.00	22686 PR 06	LFS
	2700	2.87	40	115	160	22658	16,400.00	20898	18,900.00	20898 PR 06	LFS
	3000	3.21	40	129	160	22661	18,800.00	20899	21,600.00	20899 PR 06	LFS

⁽¹⁾The filter code includes the filter media or valve manifold.

COIL-WOUND FILTERS - FOR PUBLIC SWIMMING POOLS

Rodas Horizontal Coil Winding Filters



EXPLANATION

HORIZONTAL FILTERS

- Coil-wound filters are manufactured from isophthalic polyester and fiberglass.
- Includes pressure gauge, air vent and water drain valve.
- Ø 400 mm filter cover 1.
- Ø 140 mm sand discharge cap 1.
- Valve manifolds can be mounted on all filters. (optional)



Filtration Bed Height
0.6 m - 1 m

Valve manifold system optionally also sold

1 inch diameter HE	Length	Filtering area ¹	Filtering speed ¹	Suggested flow	Ballant HE	Filter code ⁽¹⁾	Unit Price EURO	Filter code ⁽¹⁾	Unit Price EURO	Filter code ⁽¹⁾	Unit Price EURO	
mm	(K)	m ²	m ³ /h/m ²	m ³ /h/m ²	mm	2.5 bar		4 bars		6 bars		
1400	1900	2.23	40	89	140	24850	13,000.00	25024	15,900.00	25024 PR 06	LFS	
	2500	3.02	30	91	140	24855	17,000.00	25029	19,600.00	25029 PR 06	LFS	
	3000	3.65	30	110	160	24861	21,000.00	25035	24,150.00	25035 PR 06	LFS	
	1600	3000	4.10	40	164	200	22673	24,000.00	20903	27,600.00	20903 PR 06	LFS
	1800	2500	4.58	40	150	200	24877	23,000.00	25051	26,800.00	25051 PR 06	LFS
	1800	3500	5.41	30	137	160	24882	24,400.00	25056	28,000.00	25056 PR 06	LFS
	1800	4000	6.25	40	216	225	24889	29,000.00	25063	33,300.00	25063 PR 06	LFS

⁽¹⁾Filter code, It does not include the filter media or valve manifold.

COIL WINDING SAND FILTERS

- These filters feature high-quality engineering, with internal components and accessories made of plastic and a housing made of berglas and isophthalic resin.
- Thanks to its double coating, the resulting body is extremely durable and reliable.
- It is compatible with sand or glass filter media.
- It complies with the filtering requirements according to the EN 16713-1 standard.

Berlin (Servaqua) filter

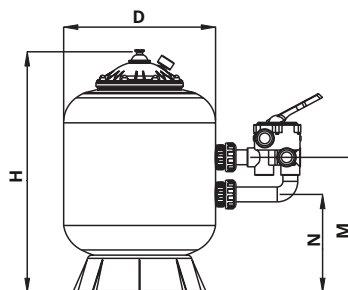
EXPLANATION

Polyester body reinforced with coil winding, blue and green colors, with pressure gauge and air bleed valve, polished body to prevent dust ingress. Ø 230 bolted cover. Filtration rate 50 m³/h/m²

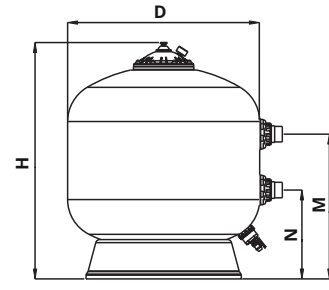


EN 16713-01
It conforms to the standard.

	Code	Standard PACKAGING	Standard weight kg	Standard Volume m ³	Unit Price EURO
Side multi-way valve 9000 l/h Ø 500					
mm 1½" connection, 14000 l/h Ø 600	00541	1	17.3	0.24	690.00
mm 1½" connection, 21000 l/h Ø 750	00542	1	21.8	0.37	890.00
mm 2" connection	00543	1	35.1	0.65	1,570.00
Bare, excluding multiway valve. 30000 l/h Ø					
900 mm 2½" connection, 30000 l/h Ø 900 mm	00544	1	53.4	1.01	1,970.00
2" connection, 30000 l/h Ø 900 mm 2" (4 bar) connection	15397	1	53.4	1.01	1,600.00
	28474	1	67.0	1.01	2,490.00
Except for the multiway valve					
Ø 400 mm polyester and with FV cover: 43,000 l/h					
Ø 1050 mm with Ø 75 mm connection, 56,000 l/h Ø	00545	1	110.0	1.92	3,450.00
1200 mm with Ø 90 mm connection	00546	1	140.0	2.70	4,200.00



Multi-way valve



Bare, without multiway valve

TECHNICAL SPECIFICATIONS

	With a multi-way valve			without multiway valve				
	00541	00542	00543	00544	15397	28474	00545	00546
Ø D (mm)	500	600	750	900	900	900	1050	1200
H (mm)	805	910	1050	1145	1135	1135	1300	1450
M (mm)	450	505	610	685	635	635	810	870
N (mm)	325	380	380	415	405	405	500	560
Connections	1½"	1½"	2"	2½"	2"	2"	* D75	** D90
Flow rate (m ³)/h, 50 m ³ /h/mat speed	9	14	21	30	30	30	43	56
Pool volume (m ³) ₁	50-75	75-115	115-170	170-240	-	-	240-350	350-450
Sand (kg)	100	175	300	525	525	525	575	800
Gravel (kg)	-	-	-	-	-	-	300	300
Class 1 glass media (57011) (kg)	75	150	200	350	350	350	600	825
Class 1 2 glass media (57013) (kg)	0	0	50	75	75	75	175	200
Maximum working pressure (kg/cm ²) ₂	2.5	2.5	2.5	2.5	2.5	4	2.5	2.5
Net weight (kg)	15.3	19.8	33.1	51.4	51.4	51.4	100	130
Package volume (m ³) ₃	0.35	0.37	0.65	1.01	1.01	1.01	1.92	2.70

COIL-WOUND SAND FILTERS

Ivory coil winding liter



EXPLANATION

Made of ivory-colored monoblock polyester and berglasta, its body is reinforced using a wrapping method and it has a filter cover. Includes a pressure gauge, air bleed valve, and six-way valve. 50 m³/h/m²

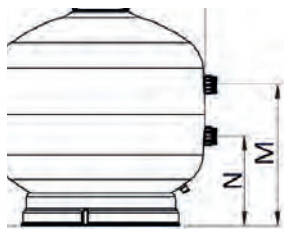
Filter speed 2.5 bar, maximum operating pressure, maximum operating temperature 40°C. 2½" sand discharge port at the bottom of the filter.

Code	Standard PACKAGING	Standard weight kg	Standard Volume m ³	Unit Price EURO
Side multi-way valve1 14000 l/h Ø				
600 mm 1½" connection, 21000 l/h Ø	66240	1	-	815.00
750 mm 2" connection, 32000 l/h Ø	66241	1	-	1,270.00
900 mm 2" connection	66242	1	-	1,520.00
Except for the multiway valve, bare 43,000				
l/h with Ø 1050 mm ² connection, 56,000 l/h	66829	1	-	2,500.00
with Ø 1200 mm ^{2½} connection	66831	1	-	2,900.00



EN 16713-01
It conforms to Standard1.

TECHNICAL SPECIFICATIONS



Code	Filter (mm)	Connections		Filter. speed1 m ³ /h/m ²	Flow m ³ /h	Max. Pressure bar	Sand 0.4-0.8 mm	Çak11 1-2 mm	D mm	H mm	M mm	N mm
		mm	inch									
66240-0100	600	50	1 ½"	50	15	2.5	160	-	620	830	325	125
66241-0100	750	63	2"	50	21	2.5	290	-	780	915	325	230
66242-0100	900	63	2"	50	32	2.5	500	-	930	1060	400	270
66829	1050	63	2	50	43	2.5	550	250	1070	1250	470	270
66831	1200	75	2 ½"	50	56	2.5	750	300	1220	1340	545	270

FILTRAN MEDIA

Active Glass Media



EXPLANATION

AstralPool Active glass transparent media.

Advantages of activated glass:

- More ecological and efficient filtration through water and energy conservation.
- High capacity with a cleaner filtration bed that traps bacteria. Filtration.

Code	Standard PACKAGING	Standard weight kg	Standard Volume m ³	Unit Price EURO
0.5 mm - 1.0 mm (Class 1)	57011	1	25.0	1.50
1.0 mm - 3.0 mm (Class 2)	57012	1	25.0	1.50
3.0 mm - 7.0 mm (Class 3)	57013	1	25.0	1.50



TECHNICAL SPECIFICATIONS

Code	Measurement	%Filter bed volume	
		D < 900 mm Filters	D > 900 mm Filters
Class 1	0.5 - 1.0 mm	0.8	0.6
Class 2	1.0 - 3.0 mm	0	0.2
Class 3	3.0 - 7.0 mm	0.2	0.2

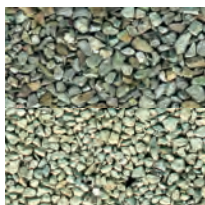
FILTRAN MEDIA

Anthracite

EXPLANATION

For other granule sizes of anthracite, please contact us.
25 kg bag.

	Code	Standard PACKAGING	Standard weight kg	Standard Volume m³	Unit Price EURO
Granule size 0.8 - 1.6 mm	03696	1	25	0.667	120.00



Zeolite

EXPLANATION

A naturally porous material with superior filtration properties compared to normal substrates. Much more competitive. For yachts and long-term use, it is comparable to sand.

	Code	Standard PACKAGING	Standard weight kg	Standard Volume m³	Unit Price EURO
Zeolite 0.5 - 1.0 mm	25845	1	25.0	-	LFS
Zeolite 1.0 - 2.0 mm	25846	1	30.0	0.023	LFS
Zeolite 2.0 - 5.0 mm	25847	1	30.0	0.023	LFS



Silex sand media

	Code	Standard PACKAGING	Standard weight kg	Standard Volume m³	Unit Price EURO
Granulometry 0.4 - 0.8 mm	00596	1	25	0.667	0.95


EXPLANATION

25 kg bag.

	Code	Standard PACKAGING	Standard weight kg	Standard Volume m³	Unit Price EURO
Granulometry 1 - 2 mm	10697	1	25	0.667	0.95
Granulometry 3 - 5 mm	11346	1	25	0.667	0.95

MULTI-WAY VALVES

Multiway valves

EXPLANATION

A six-position multi-way valve capable of performing various functions in a hydraulic circuit: filtering, circulation, closed, filter backwashing, and rinsing. Its highly functional design means it can be installed in any setup. All joints open and close perfectly, and it is easy to use.

Minimum friction and resistance, maximum operational safety, and the selection of the best materials for its components are decisive factors: ABS housing, cover and handle, PPO distributor, EPDM seals, stainless steel metal parts.

1½" and 2" multi-way valves

	Code	Standard PACKAGING	Standard weight kg	Standard Volume m ³	Unit Price EURO
1½" Multi-way valve (including filter fittings)	20569	6	14	2.02	127.00
2" Multi-way valve (including filter fittings)	28512	6	156.5	2.54	182.00

2½" multi-way valves

	Code	Standard PACKAGING	Standard weight kg	Standard Volume m ³	Unit Price EURO
2½" Multi-way valve (including filter fittings)	24837	1	9.5	0.060	585.00
2½" Multi-way valve, bare.	24838	1	8.2	2.0061	535.00

3" multi-way valves

	Code	Standard PACKAGING	Standard weight kg	Standard Volume m ³	Unit Price EURO
3" Multi-way valve	28515	1	9.5	0.060	875.00

Top-down 1-way valves

1 1/2" and 2" multi-way valves.

	Code	Standard PACKAGING	Standard Weight kg	Standard volume m ³	Unit Price EURO
Top 1 1/2" Multi-way valve	20565	6	12.10	0.079	165.00
1/2" multi-way valve on top (for Aster filter)	31993	6	11.8	0.124	165.00

MULTI-WAY VALVES

VRAC IV

automatic multi-way valve



Multiway valves em val

(code 41898 or 41899)

Recommended.

Modified codes:

instead of 70768 and 57186
72433.

70769 and 57187 instead of 72434

EXPLANATION

The improved automatic multi-way valve can also be operated via keypad. It allows control of filtration, backwashing, rinsing, draining, circulation, and closed positions.

Digital pressure sensors make operation and installation easier instead of analog pressure sensors.

- Easy programming with the press of a button for setting the pressure point for backwashing.
- Corrosion-resistant parts.
- Fluidra Connect Box - System VRAC Basic III easy connection setup.
- Adaptable: Quick and easy to set up for use on all devices with media filters.
- Convenience: With simple programming using the keypad, you can have a fully automatic filter for your pool.
- Hygiene: By optimizing backwashing times (daily, weekly, or via pressure monitoring), you will achieve optimal water quality for swimming.
- Safety: The automatic valve continuously monitors the filtration system and the valve itself, preventing potential malfunctions. New power surge protection. Coated spring to prevent corrosion.

Access essential information quickly thanks to LED lights.

	Code	Standard PACKAGING	Standard weight kg	Standard Volume m ³	Unit Price EURO
Basic 1 1/2" automatic multi-way valve,	72433	1	4.27	0.023	1,300.00
Basic 2" automatic multi-way valve	72434	1	5.75	0.033	1,420.00

Hydraulic safety valve

EXPLANATION

The 1 1/2" hydraulic safety valve is specifically designed for mounting on the discharge line of the automatic multi-way valve on the pool sand filter.

It prevents water loss when the valve changes its operating position or when the power is cut off and the multi-way valve remains in a position to drain the pool.

SYSTEM VRAC is recommended for multi-way valve installations.

	Code	Standard PACKAGING	Standard weight kg	Standard Volume m ³	Unit Price EURO
50 mm adhesive joint with 1	41898	2	1.8	0.02	210.00
1/2" BSP threaded joint.	41899	2	1.8	0.02	210.00

Pressure gauge panel

EXPLANATION

Air vent included.



	Code	Standard PACKAGING	Standard weight kg	Standard Volume m ³	Unit Price EURO
3 kg/cm ² pressure gauge	00729	1	1	0.007	270.00
6 kg/cm ² pressure gauge	00730	1	1	0.007	270.00

8-stage filter manifold

Made of PVC, inner diameter Ø 50 mm.



	Code	Standard PACKAGING	Standard weight kg	Standard Volume m ³	Unit Price EURO
¾" inner Ø 50, d1_Ø 63 8 spokes	00624	12	4.0	0.017	26.00
1" inner Ø 50, d1_Ø 75 8 spokes	06433	12	4.0	0.017	26.00

12-piece Filter collector

It is made of PVC, and has an inner diameter of 63 mm.



	Code	Standard PACKAGING	Standard weight kg	Standard Volume m ³	Unit Price EURO
¾" inner Ø 63, d1_Ø 75 12 spokes	00625	6	3.0	0.310	44.00
1" inner Ø 63, d1_Ø 75 12 spokes	06434	6	3.0	0.310	44.00

¾" Collector arm

It is made of PVC.



	Code	Standard PACKAGING	Standard weight kg	Standard Volume m ³	Unit Price EURO
Length 225 mm	00626	50	2.0	0.017	6.50
Length 160 mm	00627	50	2.0	0.017	6.50
Length 110 mm	00628	50	2.0	0.017	6.50
Length 100 mm (extension piece 1)	00629	50	2.0	0.017	6.50

1" Collector arm

It is made of PVC.



	Code	Standard PACKAGING	Standard weight kg	Standard Volume m ³	Unit Price EURO
Length 225 mm (pack of 2)	4404300916	50	2.0	0.017	15.00
Length 160 mm (pack of 2)	4404300915	50	2.0	0.017	15.00
Length 110 mm	06437	50	2.0	0.017	7.50
Length 100 mm (extension piece 1)	06438	50	2.0	0.017	7.50

Filter collector arm connection

It is made of PVC.



	Code	Standard PACKAGING	Standard weight kg	Standard Volume m ³	Unit Price EURO
¾" threaded-threaded	00630	-	-	-	7.50
1" threaded-threaded	06439	-	-	-	9.50

Filter diffuser

It is made of PVC.



	Code	Standard PACKAGING	Standard weight kg	Standard Volume m ³	Unit Price EURO
For Ø 50 pipe	00645	6	1.0	0.009	16.00
For Ø 63 pipe	06446	6	2.0	0.023	28.00

Ramses^{above ground}


EXPLANATION

Designed for outdoor use. Reinforced edge lid. Dimensions: 149x82x120.

	Code	Standard PACKAGING	Standard weight kg	Standard Volume m ³	Unit Price EURO
Bare engine room	74970	1	25	0.4	550.00

Pool machine room (Built-in)


EXPLANATION

This machine room is made of plastic and consists of a housing and two cover parts. It is economical, practical, and functional. It is a pre-assembled complete unit. This product is suitable for filters up to 660 mm in diameter, pumps, control boxes, multi-way valves, and optionally for dosing control. It has a special pump stand and can be mounted at the desired height using PVC pipes. The housing is black, and the cover is green.

Cover: It consists of two parts. The rear part is fixed to the housing and the front part is attached to it with a hinge. (It has a 180° opening capability.) Compared to polyester housings on the market, this type of cover offers significantly greater resistance to wind.

	Code	Standard PACKAGING	Standard weight kg	Standard Volume m ³	Unit Price EURO
Plastic pool engine room bare.	31104-0100	1	25	0.400	850.00
Engine room reinforcement bracket.	31105-1000	1	75	1.5	130.00
Engine room mounting kit.	31105-0000	1	75	1.5	110.00

Hydrospin & Hydrospin Compact


EXPLANATION

It is designed to be easily integrated into existing pool filtration systems. HydroSpin is recommended for systems operating between 5-30 m³/h and pressures up to 2.5 bar. Equipped with 24 hydro-cyclones capable of trapping solid waste down to 40 microns, the system is installed between the filter and the pump. HydroSpin collects solid particles in 3 different compartments: sediment separation, purging, and thickening. HydroSpin can be cleaned with just 5 liters of water without needing to turn off the pump.

	Code	Standard PACKAGING	Standard weight kg	Standard Volume m ³	Unit Price EURO
Hydrospin	45289	1	7.8	0.088	700.00
Hydrospin Compact	53743	1	4.0	0.033	410.00
Wall mounting kit, for 45289	47158	4	4.2	0.117	80.00


TECHNICAL SPECIFICATIONS

	45289	53743
Working pressure (bar)	2.5	2.5
Connections	Ø 63	Ø 50 di_li 21/4=
Cleaning connection1s1	1"	3/4
Min. speed (m ³ /hour)	5	3
Max. speed (m ³ /hour)	30	16.5
Cleaning water	5	15
Separated solids (microns)	40	60
Ground support	Including	
Wall support	Accessory 47158	Including

CARTRIDGE FILTERS

Viron cartridgefilter



Water Conservation



Complies with Standard EN 16713-01

EXPLANATION

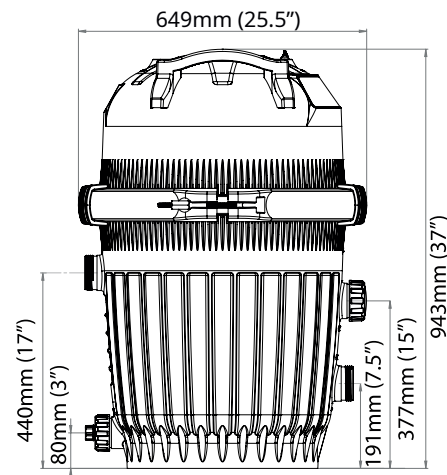
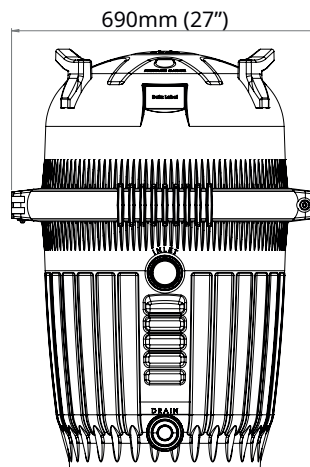
The body is manufactured from plastic injection molding. Suitable for high-pressure applications. Easy-to-open and close lid system, 39m² or 50m² small filtering surfaces extend the cleaning process or cartridge replacement period. Includes water drain, pressure gauge and fittings. In the filter housing.

5-year warranty. Suitable for filtration requirements according to EN 16713-1 standard.

	Code	Standard PACKAGING	Standard Weight (kg)	Standard Volume m ³	Unit Price EURO
Viron QL 420 cartridge filter, Viron	76340	1	48	0.252	1,500.00
QL 540 cartridge filter, Viron QL 420	76341	1	50	0.355	1,650.00
replacement cartridge, Viron QL 420	74544	1	-	-	150.00
replacement cartridge	74545	1	-	-	160.00

TECHNICAL SPECIFICATIONS

Model	Filtration surface	Maximum flow rate	A 1r1k	Height
Viron QL 420	39 m ²	500 l/m	35 kg	943 mm
Viron QL 540	50 m ²	500 l/m	40 kg	943 mm



Cartridge Filters

EXPLANATION

The body is made of ABS and the cover is made of clear polycarbonate with a 1 1/2" connection.



	Code	Standard PACKAGING	Standard Weight (kg)	Standard Volume m ³	Unit Price EURO
5 m ³ /h flow rate, 2.3 m ² filtration surface;	00648	1	14.3	0.031	330.00
10 m ³ /h flow rate, 4.2 m ² filtration surface	00649	1	5.54	0.048	500.00

CARTRIDGE FILTERS

Nano filter



EN 16713-01
It conforms to the standard.



Automatic version;
Manual with code 07444 and
automatic with code 72434
to the six-way valve
It can connect.



EXPLANATION

A compact, self-cleaning filter designed for private pools up to 90m³, offering high-quality filtration with a filtration efficiency of 5-8 microns. Its innovative nano-fiber network structure provides superior water quality.

- Easy to use
- Trustworthy
- Lower water consumption
- Higher filtration quality.
- Compact
- Easy to clean.
- It is compatible with existing filtration systems on the market.
- Replacement cartridge

	Code	Standard PACKAGING	Standard weight kg	Standard Volume m ³	Unit Price EURO
NanoFiber 150 Automatic filter (10 m3/h)	67355-0100	1	10.68	0.116	1,670.00
NanoFiber 180 Automatic filter (14 m3/h)	67356-0100	1	10.68	0.116	1,700.00
NanoFiber 200 Automatic filter (18 m3/h)	67357-0100	1	10.68	0.116	1,800.00
NanoFiber 150 Manual filter (10 m3/h)	64837-0100	1	9.68	0.093	985.00
NanoFiber 180 Manual filter (14 m3/h)	64838-0100	1	9.68	0.093	1,060.00
NanoFiber 200 Manual filter (18 m3/h)	64839-0100	1	9.68	0.093	1,145.00
Filter cleaning kit	67509	1	3.68	0.027	795.00
Replacement cartridge					
For Nanofiber 150 filter	65383	1	1.58	0.022	445.00
For Nanofiber 180 filter	65384	1	1.58	0.022	510.00
For Nanofiber 200 filter	65385	1	1.58	0.022	570.00

TECHNICAL SPECIFICATIONS

Model	Filtration surface area (m ²)	Flow rate (m ³)/h	Maximum pool volume (m ³)
NanoFiber 150	4.5	10	70
NanoFiber 180	5.2	14	80
NanoFiber 200	6.0	18	90

The handles open easily and are comfortable to carry.

Flow rate
10 to 18 m³/h

Maximum
temperature 40 °C

Links
2"



Manometer
Maximum pressure 2.5 bar

The transparent plastic cap makes it easy to determine the level of contamination in the water.

Filtration quality
Up to 5-8 microns (μ)

Functions:
Filtration and backwashing



CLARISAVE A CONSCIOUS For cleaning



SAVE WITH EVERY DROP

Homogeneous water reduces water consumption during cartridge cleaning and extends washing intervals.
flow.



EFFECTIVE FILTERING

Clean, crystal-clear water for your pool by retaining even the smallest particles.
cartridge filter providing



EASY AND QUICK ASSEMBLY

Handles and adjustable connectors for easy assembly, glycerin pressure gauge for accurate readings.
pressure gauge.

ClariSave


EXPLANATION

Cartridge filters with capacities ranging from 10 to 25 m³/h offer high performance despite being compact enough to fit even in small spaces. The optimized design ensures that the entire surface of the filtration element is utilized. Furthermore, the drainage network enhances filter performance; resulting in less maintenance and better efficiency for crystal-clear water in the pool.

High filtration quality for improved water transparency. Environmentally friendly with low water consumption and low pressure.

Lightweight, steerable outlets and simple piping make installation easy. Easy to maintain: low cleaning frequency, easy and quick cleaning.

For all pools. Wide flow rate range and chemical resistance for pool treatments.



Water Conservation



Complies with Standard EN 16713-01



Energy Efficient

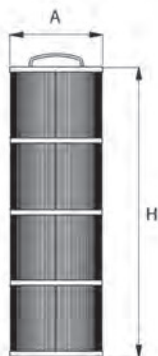
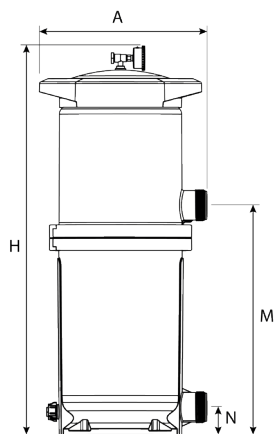
Code	Standard PACKAGING	Standard weight kg	Standard Volume m ³	Unit Price EURO
------	--------------------	--------------------	--------------------------------	-----------------

ClariSave 10cartridge	liter	77113	1	15.6	0.116	520.00
ClariSave 15cartridge	liter	77114	1	16.9	0.116	595.00
ClariSave 20cartridge	liter	77115	1	18.6	0.144	670.00
ClariSave 25cartridge	liter	77116	1	19.3	0.144	780.00
Replacement cartridge						
ClariSave 10 (for 77113)		77129	1	2.9	0.026	95.00
ClariSave 15 (for 77114)		77130	1	3.1	0.026	117.00
ClariSave 20 (for 77115)		77131	1	3.6	0.034	138.00
ClariSave 25 (for 77116)		77132	1	4.0	0.034	170.00

TECHNICAL SPECIFICATIONS

	77113	77114	77115	77116
Filtering area1 (m2)	7.8	10	12	14
Filtering speed (m3/m2/h)	1.3	1.5	1.7	1.8
Ak1_h1z1 (m3/h)	10.1	15.2	20.2	25.2
Connections	Ø 50-63mm	Ø 50-63mm	Ø 50-63mm	Ø 50-63mm
Maximum pressure (bar)	3.5	3.5	3.5	3.5
Pool volume (m3) (8h)*	81	122	162	202
Filter element 1 (code)	77129	77130	77131	77132
Filter fineness i (µm)	20	20	20	20
A (mm)	490	490	490	490
H (mm)	784	784	965	965
M (mm)	569	569	569	569
N (mm)	68	68	68	68

* 8-hour turnover rate.


TECHNICAL SPECIFICATIONS

Cartridge Code	77129	77130	77131	77132
Filtering area1 (m2)	7.8	10	12	14
Filter fineness i (µm)	20	20	20	20
H (mm)	570	570	750	750
A (mm)	Ø 190	Ø 190	Ø 190	Ø 190
Filter compatible (code)	77113	77114	77115	77116
Filter ba_1na unit	1	1	1	1

FILTERS

FILTER SERIES

> FILTERS SUITABLE FOR EVERY POOL

The product at the heart of the filtration system, depending on the filter type, it contains quartz sand, crystal clear filtration media, or a cartridge. Thus, dirt and sediment remain inside the filter tank.

An efficient filtration system. This is of great importance for effective water disinfection.

Zodiac® offers two filter series that best meet the needs of its users:

> CS CARTRIDGE FILTERS

- + Compact filter suitable for installation in very small engine rooms.
- + Ultra-fine filtration up to 15-20 µm for clarity.
- + Saves water during maintenance (no backwashing)
- + There is no need to start the drainage.

3 YEAR
GUARANTEE
ALL PARTS

5 YEAR
BODY
GUARANTEE

ALL THE POOL
TYPES

PERFECT
FILTRATION

NATURE
FRIEND

This
Saving

MS Sand Filters

- + long-lasting fiberglass polyester filters
- + Used with quartz sand and Crystal Clear filtration media.
- + easy maintenance

3 YEAR
GUARANTEE
ALL PARTS

0 YEAR
BODY
GUARANTEE

ALL THE POOL
TYPES

EASY
SETUP



COMPARISON TABLE

	CS	MS
	For precise filtration. do a friendly cartridge filter	Simple and durable. sand filters
Guarantee	5 years (tank) / 3 years Yes	10 years (tank) / 3 years
Easy installation	(VersaPlumb)®(with the kit)	-
Filtration media ¹	CS cartridge	Glass media or quartz sand
Filtration level	15 - 20 microns	20 - 50 microns
Model say ^{1s1}	2	5
Diameter	37 cm	47-95 cm
Maximum pool volume	170 m ³	200 m ³
Manometer	Yes	Yes
Multway valve	-	Yes
Drainage	Yes (+ with connection kit)	Yes, it's a combination of two (filtration media + water).



FILTERS

MS Filter



- + Easy assembly
- + Efficient filtration
- + Easy maintenance

ACCESSORIES INCLUDED IN THE PACKAGE

Multiway valve	Pressure gauge & air vent kit	nut bolt kit	Media filler cap

1LG1L1 PRODUCTS

Crystal Clear 0.7/1.3 mm - Glass media WF000063	Crystal Clear 1.0/3.0 mm - Glass media WF000064
---	---



3 YEAR
GUARANTEE

0 YEAR
BODY
GUARANTEE


PRODUCT CODE & UNIT PRICE

Model	MS 470	MS 530	MS 650	MS 800	950 AD
Standard Model	WF000094	WF000095	WF000096	WF000097	WF000098
	960	1,000 €	1,100 ₺	€1,600	2,200 ₺

EXPLANATION

Model	MS 470	MS 530	MS 650	MS 800	950 AD
Body material	Fiberglass reinforced polyester				
Multiway valve	6-way side-mounted valve (filtration, backwash, rinse, drain, circulation, shut-off)				
Pressure gauge position	Mounted on the top cover; using a T-shaped threaded adapter, it can be mounted inside the cover.				
Ba lant1	All connections are threaded for easy maintenance (multi-way valve & fittings).				
Drainage	3/8" cm (water) / 2 1/2" (filtran media, excluding MS 470)				

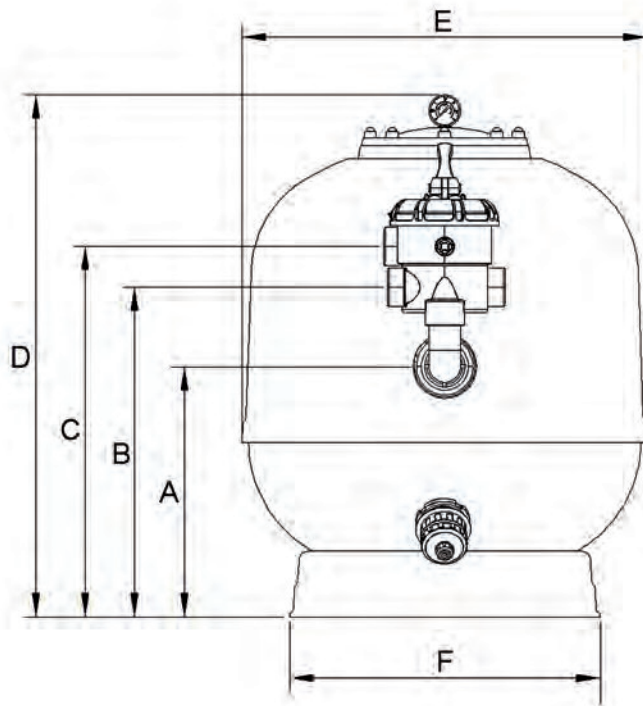
TECHNICAL SPECIFICATIONS

Model	MS 470	MS 530	MS 650	MS 800	950 AD
Body diameter (mm)	475	532	645	798	950
Maximum flow rate (m3/h)*	8	10	16	23.5	33
Filtration area (m2)	0.16	0.2	0.32	0.47	0.66
Filtration capacity m3 (6h/day)	48	60	96	140	200
Di li ba lant1 dimensions	1 1/2"			2"	
Working pressure (bar or kg/cm2)	0.2 - 0.8 (variable speed pump); 0.4 - 1.4 (single speed pump)				
Maximum pressure (bar or kg/cm2)	2.5				
Total Crystal Clear a 1r11 1	75	90	135	270	420
Number of bags - Crystal Clear 1.0/3.0	1			2	3
Number of bags - Crystal Clear 0.7/1.3	4	5	8	16	25
Total a 1r11k	85	100	160	305	460

* : at a filtration rate of 50 m3/h/m2

DIMENSIONS AND WEIGHT					
Model	MS 470	MS 530	MS 650	MS 800	950 AD
Multi-way and the gap underneath*	310	320	375	390	420
A (mm)	340	350	405	430	460
B (mm)	465	475	530	660	690
C (mm)	529	539	594	736	766
D (mm)	705	745	815	984	1027
E d1_ (mm)	475	532	645	798	950
E inner (mm)	450	510	635	770	920
F (mm)	347	400	490	625	705
A lot one-way valve connection	Height	64	64	64	76
	Width	74	74	74	79
		1½"	1½"	1½"	2"
Complete filter net weight 1r11 1 (kg)	15 kg	18 kg	21 kg	36 kg	58 kg

* : The distance under the multiway valve indicates the permitted height for pump installation.





3 YEAR GUARANTEE
5 YEAR BODY GUARANTEE



CARTRIDGE FILTERS

CS Cartridge Filter



- + Highly sensitive filtering
- + Easy maintenance and water saving.
- + It can be adapted to all types of pools.

ACCESSORIES INCLUDED IN THE PACKAGE

15-20 µm Filter kartu_u	63/50mm connection fittings1	63/50mm fitting parts1	MAn1metre	Air vent

OPTIONAL ACCESSORIES

1LG1L1 PRODUCTS

VersaPlumbScarce	CS 100 Filter Cartridge	CS 150 Filter Cartridge
WF000026	R0462201	R0462301

PRODUCT CODE & UNIT PRICE

Model	CS 100	CS 150
Standard Model	WF000024	WF000025
	€740	€800

EXPLANATION

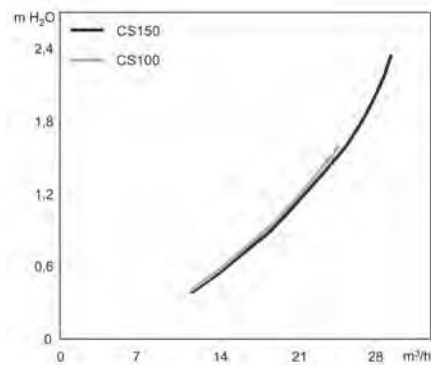
Model	CS 100	CS 150
Body material	Fiberglass reinforced polypropylene	
Pressure gauge position	On the top cover	
connection	With Ø63/ Ø50mm fitting	
Drainage	Ø63mm, Ø 63/50mm installation kit included.	

TECHNICAL SPECIFICATIONS

Model	CS 100	CS 150
Filtration capacity m ³ (6 hours/day)	130	170
Maximum flow rate (m ³)/h	22.7	28.4
Filtration area ¹ (m ²)	9.3	14
Cartridge_layer_count1s1	143	215
Filtration rate (m ³ /h/m ²)	2.4	2.1
Filtration speed: 1 m/s	0.64 m ³ /h/m ²	
Working pressure (bar or kg/cm ²)	0.2 - 0.8 (Variable speed pump); 0.4 - 1.2 (Single speed pump)	
Maximum pressure (bar or kg/cm ²)	3.5	

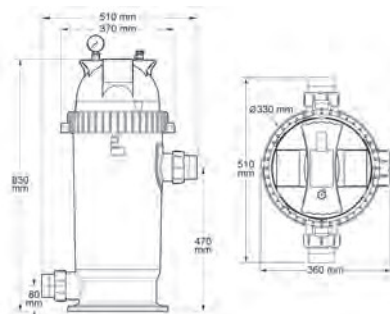
PERFORMANCE

"CS filter pressure loss is expressed as 1 meter of water column (mss).
It has been stated:
1 m H₂O = 0.1 bar



DIMENSIONS AND WEIGHT

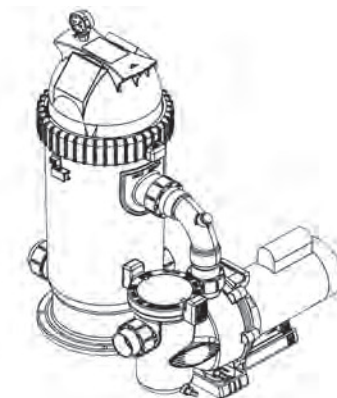
Model	CS 100	CS 150
A 1r1k (filter + cartridge_)	14 kg	13 kg
Diameter (filter base diameter)	33 cm	
Total altitude (according to pressure gauge)	92 cm	
Required movement area 1 (for cartridge replacement)	44 cm (Above the filter)	



ASSEMBLY

"The optional Versa Plumb® K1T CS filter enables a quick, compact and efficient connection between the filter and any Zodiac FloPro# pump."

"Versa Plumb® elbow has a 1/299 threaded connection for grounding."
For example, (see the grounding anode kit in the water disinfection section - Part number R0673800).





FILTRATION MEDIA

Crystal Clear



- + Optimum filtration efficiency
- + Long lifespan: 3 times longer lifespan than fabric.
- + Environmentally friendly: Up to 75% water saving.



1LG1L1 PRODUCTS

MS filter	Hydroxinator®iQ	Hydroxinator®
WF000094/95/96/97/98	WW000172/173/174/175	(old series)

PRODUCT CODE & UNIT PRICE

Model	Crystal Clear 0.7/1.3 mm	Crystal Clear 1.0/3.0 mm
Standard Model	WF000063	WF000064
	42	42

EXPLANATION

Model	Crystal Clear 0.7/1.3 mm	Crystal Clear 1.0/3.0 mm
1 content	The filtration media is made of 100% pure glass crystals.	
Form	,transparent	
Dosage	Total weight inside the filter: 10% less than the equivalent sand weight. 1.0/3.0 mm: enough to close the octopus; 0.7/1.3 mm: added, the total weight reaches 1r11 a.	
Filtration efficiency	77.9% reduction in turbidity*	
Bag dimensions1 (l x h)	45 x 65 cm	
Bag net a 1r11 1	15 kg (= shipping unit, also can be mixed on pallet)	

